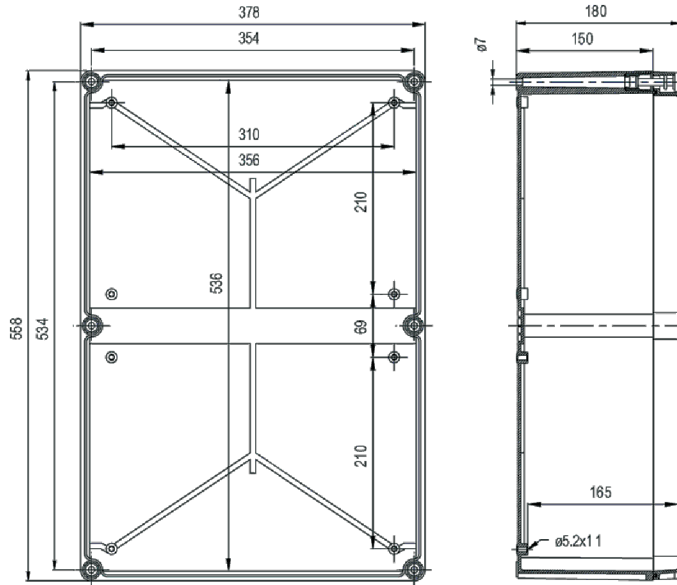


ENCLOSURES



Size 560 X 380 X 180
(H X W X D mm)

RoHS ✓ **CE**

Type of Enclosure	Cover Colour	Material Type	Article No.
HE-ABS 5638 G	Grey	ABS	01 17 00582
HE-ABS 5638 G	Grey	PC	01 17 00598

Height X Width X Depth	mm	560 X 380 X 180	560 X 380 X 180
Material		ABS	Polycarbonate
Base colour		Grey	Grey
Cover colour		Grey	Grey
Cover screws material		Polyamide	Polyamide
Cover screws colour		Grey	Grey
Gasket material		Silicon	Silicon
Technical Information			
Rating			
Ingress Protection		IP 66/67	IP 66/67
Impact Resistance		IK 07	IK 08

Common applications:

- Push button enclosures
- Electronic and instrumentation enclosures
- Terminal enclosures, Junction boxes
- Power Distribution Enclosures
- Krone Enclosures

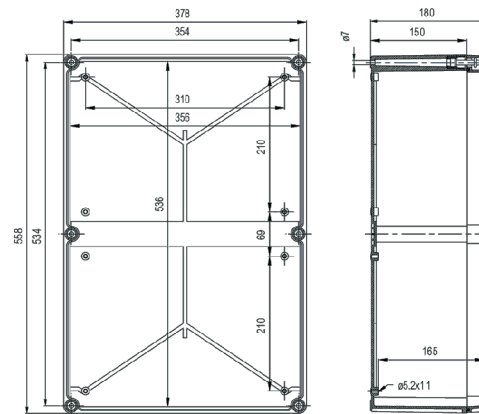
Benefits:

- Easy machining with normal tools
- Easy colouring through pigmentation
- Low weight
- Good resistance to chemical attack
- Excellent insulating properties

ENCLOSURES



Size 560 X 380 X 180 (H X W X D mm)



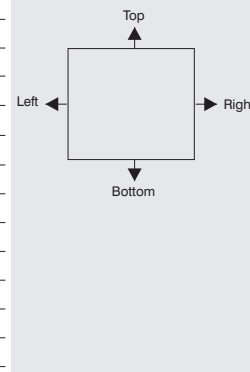
Type of Enclosure	Cover Colour	Material Type	Article No.
HE-PC 5638 T	Transparent	ABS	01 17 00590
HE-PC 5638 T	Transparent	PC	01 17 00606

Options for Customised Solutions
Cable Glands (Trinity-Jacob)



Type	Left	Right	Top	Bottom
PG 7	30	30	42	42
PG 9	30	30	42	42
PG 11	30	30	42	42
PG 13.5	27	27	36	36
PG 16	24	24	30	30
PG 21	21	21	26	26
PG 29	10	10	12	12
M12	30	30	42	42
M16	30	30	42	42
M20	24	24	30	30
M25	21	21	26	26
M32	10	10	12	12
M40	10	10	12	12
M50	4	4	6	6
M63	3	3	4	4

Total Quantity
144
144
144
126
108
94
44
144
144
108
94
44
44
20
14



Terminal Block (Phoenix Contact)



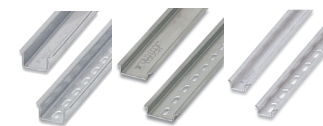
Type	Number	Wire Size mm	Amp.Rating
UK 2.5N	94	0.2-2.5	24
UK 5N	80	0.2-4	41
UK 6N	60	0.2-6	57
UK 10N	48	0.5-10	76
UK 16N	40	4-10	101
UIK 16N	40	4-16	101

Push Button

Type	Number
22.5 mm	84 Nos
30 mm	84 Nos

Type	Number
Single Pole	28

DIN Mounting Rail (Trinity Touch)



Type	Max. Length for enclosure	Article No.
TDR2-35/7.5 Perforated	110mm	011700271
TDR2-15/5.5 Perforated	110mm	011700254
TDR3-35/7.5 Perforated	110mm	011700283
TDR3-15/5.5 Perforated	110mm	011700279

About Mounting DIN Rails

- Most of the electrical accessories are designed to mount on rails that can be fixed easily on panel boards and equipments.
- Mounting rails made of steel in accordance (DIN 60715) are available in Zinc plated and thick film trivalent chrome passivated. The base metal as steel used for DIN rails as per EN10130. Due to high mechanical strength & durability, high corrosion prohibitive plating and lead free (Confirms to RoHS compliance) provides the best solution for general applications.
- These rails are often used as grounding bars. The current carrying capacity of these rails and the copper wire sizes required to carry that current are given below.
- The 35/7.5 high rail is suitable for the majority of application and is the more cost effectiveness.
- When heavy components like large PLC's, Transformers, MPCBS, heavy contactors and relays has to be mount than 35/15 rail is more suitable.
- The 15/5.5 rail is more than half width of 35/7.5 is used for mounting of terminal blocks in confined spaces.

RAIL CURRENT CARRYING CAPACITY

Rail	Material	Current (A)	Wire size AWG	mm2
35/7.5 (Slotted)	Steel	65	8	10
35/7.5 (Un Slotted)	Steel	87	6	16
35/15 (Slotted)	Steel	125	4	25
35/15 (Un Slotted)	Steel	125	4	25
15/5.5 (Slotted)	Steel	35	12	4
15/5.5 (Un Slotted)	Steel	47	10	6

Difference between TDR2 and TDR3 series DIN Rails				
S.No.	Properties	Unit	TDR2	TDR3
1	Tensile Strength	N/mm2	270	320 -410
2	Elongation	N/mm2	28%	30 -36%
3	Hardness	HRB	50	
4	Elastic Limit	N/mm2	-----	230 -280
5	SST stability Red Rust (Minimum)	Hours	240	350

ENCLOSURES

Socket / Plug

Type	Number
16A - 5 PIN	20
16A - 3 PIN	20
32A - 5 PIN	20
32A - 3 PIN	20
63A - 5 PIN	14
125A - 5 PIN	6

Size 560 X 380 X 180 (H X W X D mm)

ACCESSORIES

Ordering Data For Accessories

Mounting Plate	Type	Article No.
Mounting Plate CRCA Sheet Thickness 1.5mm Zinc Plated	Heavy MP 5638	01 17 00622
Mounting Clamp	Type	Article No.
Mounting Clamp CRCA Sheet Thickness 3 mm Zinc Plated	Heavy MC 5638	01 17 00623
Hinge	Article No.	
Hinge Material Plastic	01 17 00625	
Hinge Colour Grey		
Cover Screw	Article No.	
Polyamide Grey Colour	01 17 006912	
Window	Article No.	
Window Material Plastic	01 17 00909	
Window Colour Transparent		

Existing Customised Solutions

Existing Customised Solutions of Terminal Block Enclosure					
Description	Article No.	DIN Mounting Rail		Terminal Block	
		Type	Qty	Type	Qty
CS-ABS 5638-150-9	01 17 00025	TDR2-35/7.5	520 MM	UKH 150	9
CS-ABS 5638-240-9	01 17 00026	TDR2-35/7.5	520 MM	UKH 240	9

Existing Customised Solutions of Industrial Plug & Socket Enclosure													
Description	Article No.	DIN Mounting Rail		Terminal Block		Cable Gland		MCB		Industrial Plug		Window	Wiring
		Type	Qty	Type	Qty	Type	Qty	Type	Qty	Type	Qty		
CS-ABS 5638-1475-4-1551-4	01 17 00145	TDR2-35/7.5	330 MM	UK 5N	32					32A,5PIN	4	Window	Wiring
CS-ABS 5638-16X2-5 PIN	01 17 00370	TDR2-35/7.5	660 MM	UK 5N	10	PG 29	1	16A.TPN	2	16A,5PIN	2	Window	Wiring
CS-ABS 5638-32X2-5 PIN	01 17 00372	TDR2-35/7.5	660 MM	UIK 16	10	PG 36	1	32A.TPN	2	32A,5PIN	2	Window	Wiring
CS-ABS 5638 -16AX3-1X32A	01 17 00374	TDR2-35/7.5	660 MM	UK 5N	15			16A.TPN	3	16A,5PIN	3		
				UIK 16	5	PG 29	1	32A.TPN	1	32A,5PIN	1	Window	Wiring

Existing Customised Solutions of Terminal Block Enclosure with Cable Gland							
Description	Article No.	DIN Mounting Rail		Terminal Block		Cable Gland	
		Type	Qty	Type	Qty	Type	Qty
CS-ABS 5638 G-BUSBAR	01 17 00510	TDR2-35/7.5	320 MM	UKH 50	2	PG 29	6

Above mentioned article numbers are our existing solutions in TRIBOX™ Basic 5638 enclosures. For application details refer:

Customised Applications	Page Nos.
Customised solutions of terminal block enclosure	144
Customised solutions of industrial plug & socket enclosures	144-145
Customised solutions of terminal block enclosure with cable glands	145

Note: We reserve the right to modification in interest of technical progress.