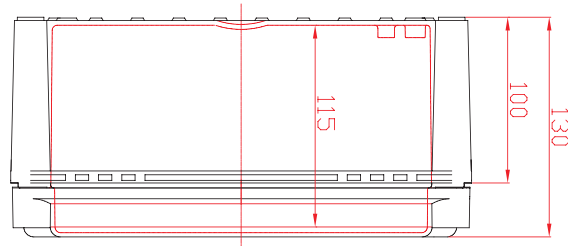
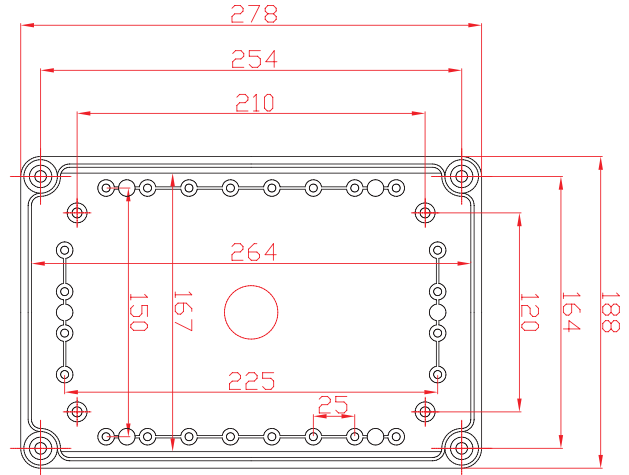


## ENCLOSURES



**Size 280 X 190 X 130**  
(H X W X D mm)



**RoHS** **CE**

Type of Enclosure	Cover Colour	Material Type	Article No.
HE-ABS 2819 G	Grey	ABS	01 17 00569
HE-PC 2819 G	Grey	PC	01 17 00592

Height X Width X Depth	mm	280 X 190 X 130	280 X 190 X 130
<b>Material</b>		<b>ABS</b>	<b>Polycarbonate</b>
Base colour		Grey	Grey
Cover colour		Grey	Grey
Cover screws material		Polyamide	Polyamide
Cover screws colour		Grey	Grey
Gasket material		Silicon	Silicon
<b>Technical Information</b>			
<b>Rating</b>			
Ingress Protection		IP 66/67	IP 66/67
Impact Resistance		IK 07	IK 08

### Common applications:

- Push button enclosures
- Electronic and instrumentation enclosures
- Terminal enclosures and junction boxes
- Power distribution enclosures
- Krone enclosures
- D.O.L motor starter

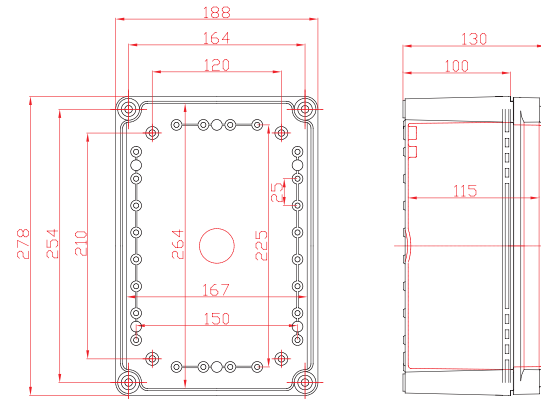
### Benefits:

- Easy machining with normal tools
- Easy colouring through pigmentation
- Low weight
- Good resistance to chemical attack
- Excellent insulating properties

ENCLOSURES



Size 280 X 190 X 130 (H X W X D mm)

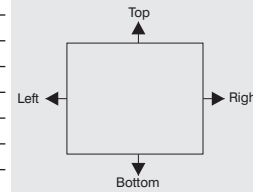


Type of Enclosure	Cover Colour	Material Type	Article No.
HE-ABS 2819 T	Transparent	ABS	01 17 00584
HE-PC 2819 T	Transparent	PC	01 17 00600

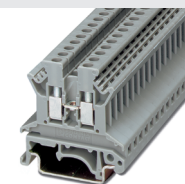
Options for Customised Solutions  
Cable Glands (Trinity-Jacob)



Type	Left	Right	Top	Bottom	Total Quantity
PG 7	8	8	23	23	62
PG 9	8	8	20	20	56
PG 11	6	6	14	14	40
PG 13.5	6	6	14	14	40
PG 16	6	6	9	9	30
PG 21	4	4	7	7	22
PG 29	2	2	4	4	12
M12	10	10	16	16	52
M16	8	8	14	14	44
M20	6	6	12	12	36
M25	5	5	9	9	28
M32	2	2	4	4	12
M40	2	2	3	3	10
M50	1	1	3	3	8
M63	1	1	2	2	6



Terminal Block (Phoenix Contact)

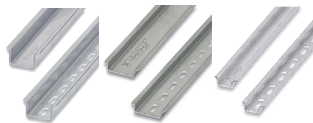


Type	Number	Wire Size mm	Amp. Rating
UK 2.5N	40	0.2-2.5	24
UK 5N	33	0.2-4	41
UK6N	25	0.2-6	57
UK 10N	20	0.5-10	76
UK 16N	18	4-10	101
UIK 16N	18	4-16	101

Push Button

Type	Number
22.5 mm	15 Nos
30 mm	15 Nos
MCB	
Type	Number
Single Pole	14

DIN Mounting Rail (Trinity Touch)



Type	Max. Length for enclosure	Article No.
TDR2-35/7.5 Perforated	110mm	01 17 00271
TDR2-15/5.5 Perforated	110mm	01 17 00254
TDR3-35/7.5 Perforated	110mm	01 17 00283
TDR3-15/5.5 Perforated	110mm	01 17 00279

About Mounting DIN Rails

- Most of the electrical accessories are designed to mount on rails that can be fixed easily on panel boards and equipments.
- Mounting rails made of steel in accordance (DIN 60715) are available in Zinc plated and thick film trivalent chrome passivated. The base metal as steel used for DIN rails as per EN10130. Due to high mechanical strength & durability, high corrosion prohibitive plating and lead free (Confirms to RoHS compliance) provides the best solution for general applications.
- These rails are often used as grounding bars. The current carrying capacity of these rails and the copper wire sizes required to carry that current are given below.
- The 35/7.5 high rail is suitable for the majority of application and is the more cost effectiveness.
- When heavy components like large PLC's, Transformers, MPCBS, heavy contactors and relays has to be mount than 35/15 rail is more suitable.
- The 15/5.5 rail is more than half width of 35/7.5 is used for mounting of terminal blocks in confined spaces.

Difference between TDR2 and TDR3 series DIN Rails				
S.No.	Properties	Unit	TDR2	TDR3
1	Tensile Strength	N/mm2	270	320 -410
2	Elongation	N/mm2	28%	30 -36%
3	Hardness	HRB	50	
4	Elastic Limit	N/mm2	-----	230 -280
5	SST stability Red Rust (Minimum)	Hours	240	350

RAIL CURRENT CARRYING CAPACITY

Rail	Material	Current (A)	Wire size AWG	mm2
35/7.5 (Slotted)	Steel	65	8	10
35/7.5 (Un Slotted)	Steel	87	6	16
35/15 (Slotted)	Steel	125	4	25
35/15 (Un Slotted)	Steel	125	4	25
15/5.5 (Slotted)	Steel	35	12	4
15/5.5 (Un Slotted)	Steel	47	10	6

ENCLOSURES

Socket / Plug

Type	Number
16A - 5 PIN	2
16A - 3 PIN	2
32A - 5 PIN	2
32A - 3 PIN	2
63A - 5 PIN	2
125A - 5 PIN	1

Size 280 X 190 X 130 (H X W X D mm)

ACCESSORIES

Ordering Data For Accessories

Mounting Plate	Type	Article No.
Mounting Plate CRCA Sheet Thickness 1.5mm Zinc Plated	Heavy MP 2819	01 17 00616
Mounting Clamp	Type	Article No.
Mounting Clamp CRCA Sheet Thickness 3 mm Zinc Plated	Heavy MC 2819	01 17 00617
Hinge		Article No.
Hinge Material	Plastic	01 17 00625
Hinge Colour	Grey	
Cover Screw		Article No.
Polyamide Grey Colour		01 17 006912
Window		Article No.
Window Material	Plastic	01 17 00909
Window Colour	Transparent	

Existing Customised Solutions

Existing Customised Solutions of Industrial Plug & Socket Enclosures													
Description	Article No.	DIN Mounting Rail		Terminal Block		Cable Gland		Surge Arrestor	Push Button	MCB	Industrial Plug		Window
		Type	Qty	Type	Qty	Type	Qty				Type	Qty	
CS-ABS 2819-3451 +TPN	01 17 00076	TDR2-35/7.5	160 MM								32A,5P	1	Window
CS-ABS 2819-1463-WIND	01 17 00037	TDR2-35/7.5	160 MM								16A,3PIN,ANG	1	Window
CS-ABS 2819-1492-WIND	01 17 00039	TDR2-35/7.5	160 MM								32A,3P,ANG	1	Window
CS-ABS 2819-16-6	01 17 00018	TDR2-35/7.5	250 MM	UK 16	6								
CS-ABS 2819-35-6	01 17 00021	TDR2-35/7.5	250 MM	UK 35	4								
CS-ABS 2819-35-9	01 17 00022	TDR2-35/7.5	250 MM	UK 35	9								
CS-ABS 2819-1551-Window	01 17 00126	TDR2-35/7.5	160 MM	UK 5N	1						32A,5P	1	Window
CS-ABS 2819-W-MR	01 17 00130	TDR2-35/7.5	160 MM										Window
CS-ABS 2819-32A-5PIN/IP44/A/RS	01 17 00106	TDR2-35/7.5	160 MM	UK 5N	2						32A,5P	1	
CS-ABS 2819-16A-3PIN-IP67/A/W	01 17 00043	TDR2-35/7.5	160 MM	UK 2.5	1						16A,3P	1	Window
CS-ABS 2819-32A-5PIN-IP67/A/W	01 17 00045	TDR2-35/7.5	160 MM	UK 5N	2						32A,5P	1	Window
CS-ABS 2819-1500-Window	01 17 00041	TDR2-35/7.5	160 MM	UK 5N	1						32A,5P	1	Window
CS-ABS 2819-32A-5PIN-S-44-WW	01 17 00163	TDR2-35/7.5	160 MM	UK 5N	1						32A,5P	1	Window
CS-ABS 2819-32A-3PIN-S-44-WW	01 17 00162	TDR2-35/7.5	160 MM	UK 5N	1						32A,3P	1	Window
CS-ABS 2819-2X32A-3PIN-S-44-WW	01 17 00164	TDR2-35/7.5	160 MM	UK 5N	2						32A,3P	2	Window
CS-ABS 2819-35-5-HING-VSP	01 17 00167	TDR2-35/7.5	160 MM	UK 35	5								
CS-ABS 2819-32A-5PIN-A-44-WR	01 17 00176	TDR2-35/7.5	160 MM	UK 5N	2						32A,5P	1	
CS-ABS 2819-32A-5PIN-A-44-WW	01 17 00175	TDR2-35/7.5	160 MM	UK 5N	1						32A,5P	1	Window

## ACCESSORIES

Size 280 X 190 X 130 (H X W X D mm)

Existing Customised Solutions of Terminal Block Enclosure with Cable Gland										
Description	Article No.	DIN Mounting Rail		Terminal Block		Cable Gland		Push Button	Window	Wiring
		Type	Qty	Type	Qty	Type	Qty			
CS-ABS 2819 G M20X5	01 17 00350					M20	5			
CS-ABS 2819-MI KL06	01 17 00210	TDR2-35/7.5	160 MM						Window	
CS-ABS 2819-STTB 2.5X8	01 17 00257	TDR2-35/7.5	160 MM	STTB 2.5	8	PG 21	2			
CS-2819-WIND/CUTOUT 63A	01 17 00267	TDR2-35/7.5	160 MM			PG29	1		Window	
CS-2819-2.5X15-M16X4	01 17 00361	TDR2-35/7.5	160 MM	UK 2.5	15	M 16	4			
CS-2819-UK 2.5X42	01 17 00375	TDR2-35/7.5	250 MM	UK 2.5	42					
CS-2819-UK 5N	01 17 00375	TDR2-35/7.5	250 MM	UK 5N	10					
CS-2819 G-H12X9-H25X1	01 17 00382								Window	
CS-ABS 2819 G-WIN-L06	01 17 00381	TDR2-35/7.5	160 MM							
CS-2819 G-DIN RAIL	01 17 00383	TDR2-35/7.5	160 MM							Wiring
CS-ABS 2819 G-UK2.5X36	01 17 00083	TDR2-35/7.5	160 MM	UK 2.5B	36					
CS-ABS 2819 G-UK2.5X30-PG11X4	01 17 00100	TDR2-35/7.5	160 MM	UK 2.5B	30	PG 11	4			
CS-ABS 2819 G-UK2.5X50-PG11X5	01 17 00093	TDR2-35/7.5	160 MM	UK 2.5B	50	PG 11	5			

Existing Customised Solutions of 3 Phase Industrial Direct On-Line ( D.O.I.) Motor Starter												
Description	Article No.	DIN Mounting Rail		Terminal Block		Cable Gland		3 Pole Cont-actor	Push Button	3 Phase Over Load Relay	Auxiliary Contact	Wiring
		Type	Qty	Type	Qty	Type	Qty					
CS-ABS 2819 G-STARTER-5H.P+ CUT OUT	01 17 00378	TDR2-35/7.5	160 MM	UK 5N	4	PG 21	1	1	2	1	1	Wiring
				UK 2.5	2							

Above mentioned article numbers are our existing solutions in TRIBOX™ Basic 2819 enclosures. For application details refer:

Customised Applications	Page Nos.
Customised solutions of industrial plugs & socket enclosures	129-133
Customised solutions of terminal block enclosure with cable glands	133-136
Customised solutions of 3 phase industrial Direct On-Line (D.O.L.) motor starter	136
Tailor drilled push button holes	136-139