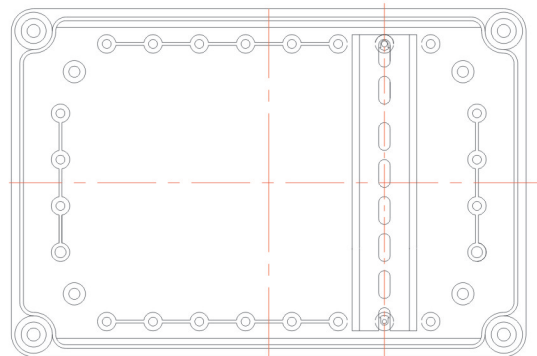
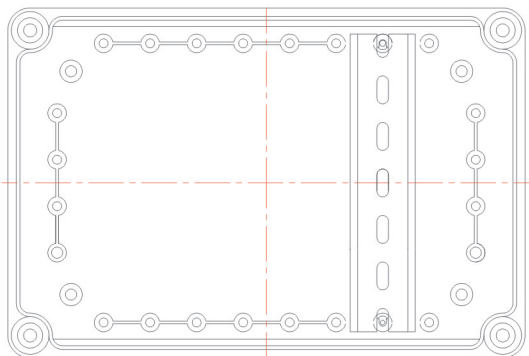
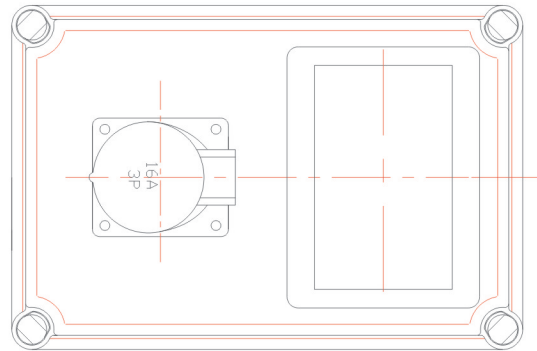
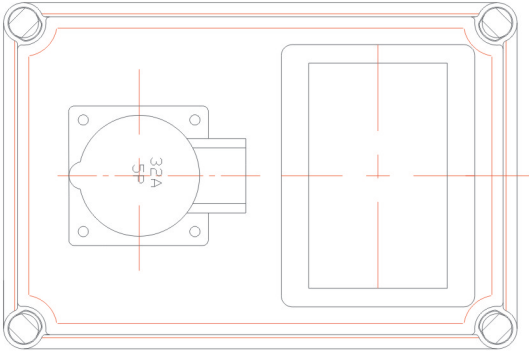
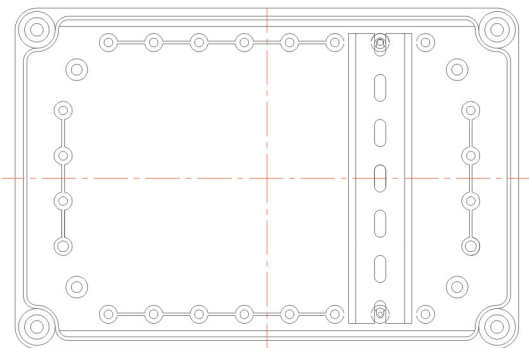
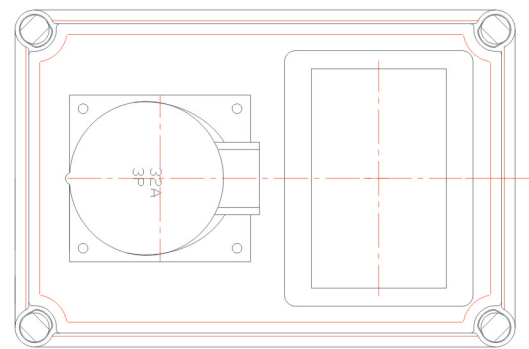


**CUSTOMISED SOLUTIONS DIAGRAMS**

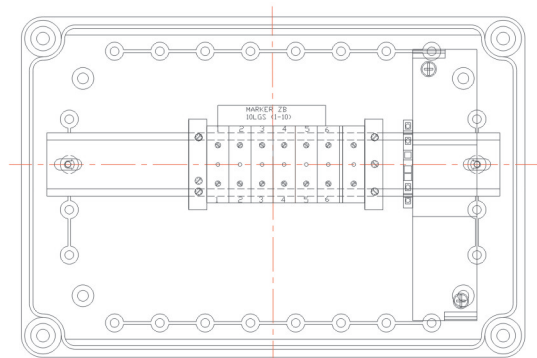


**Power Distribution Unit (Article No. 01 17 00076)**

**Power Distribution Unit (Article No. 01 17 00037)**



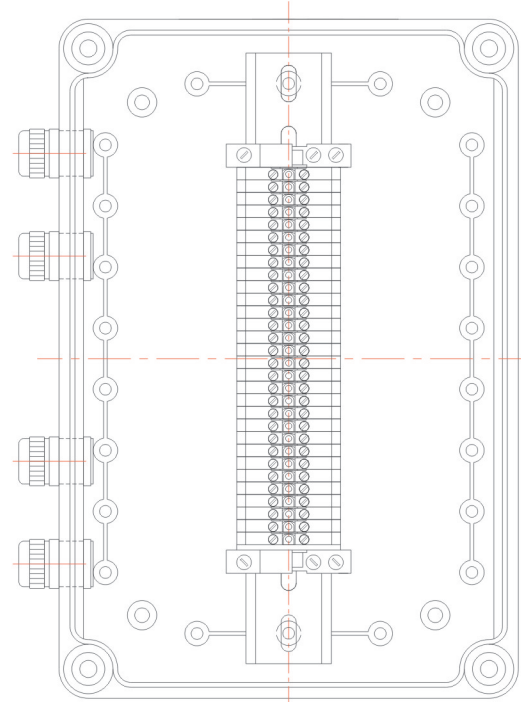
**Power Distribution Unit (Article No. 01 17 00039)**



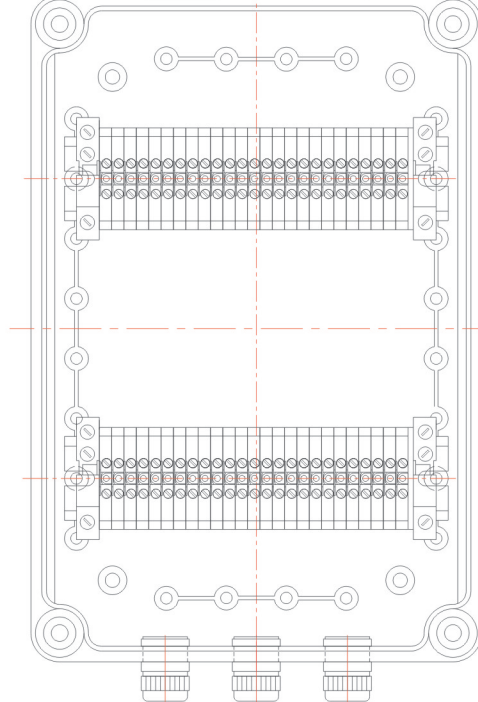
**Junction Box (Article No. 01 17 00018)**

CUSTOMISED SOLUTIONS DIAGRAMS

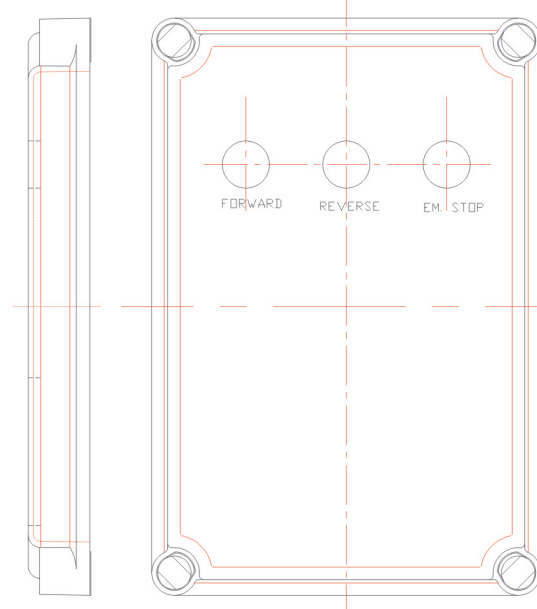
CUSTOMISED SOLUTIONS DIAGRAMS



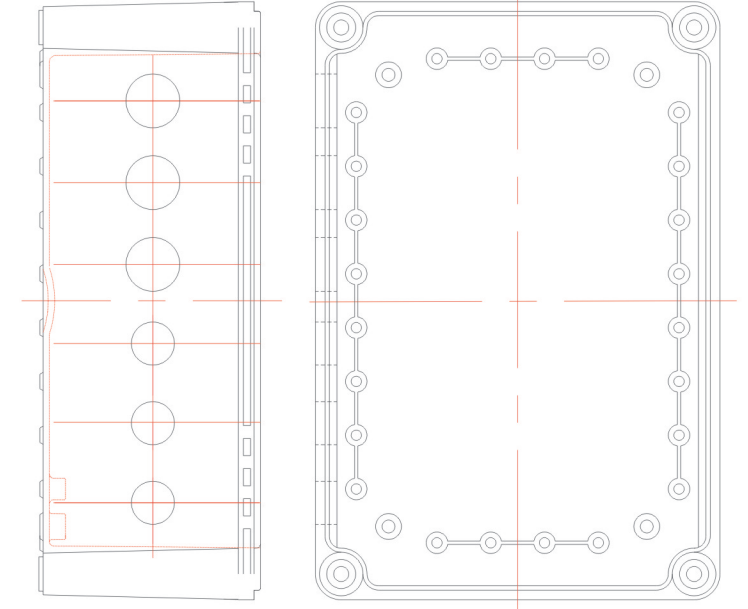
Junction Box (Article No. 01 17 00100)



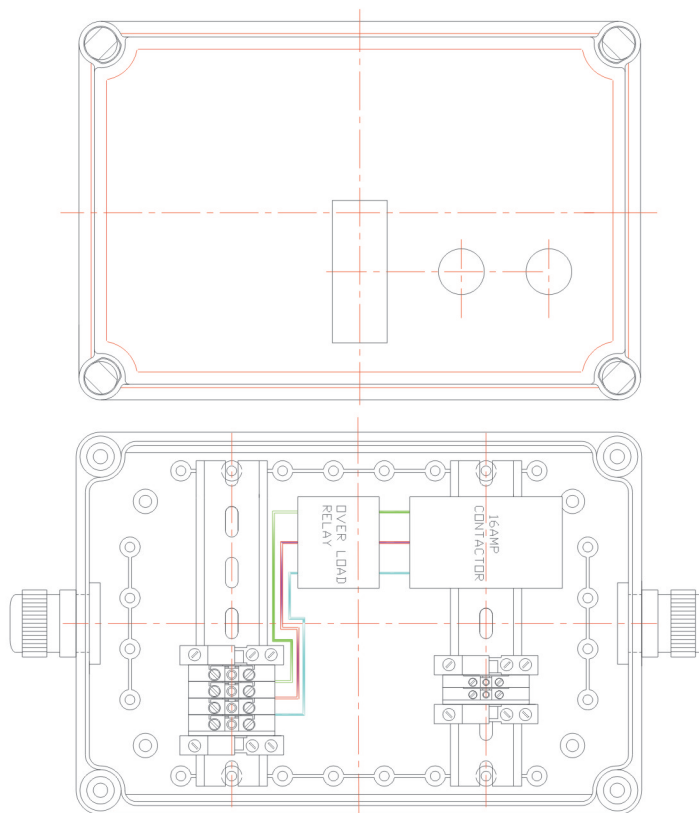
Junction Box (Article No. 01 17 00093)



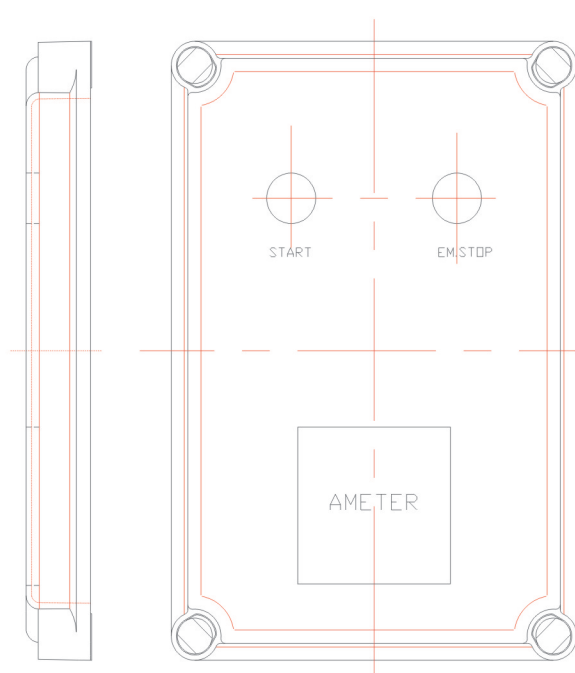
Tailor drilled push button hole (Article No. 01 17 00223)



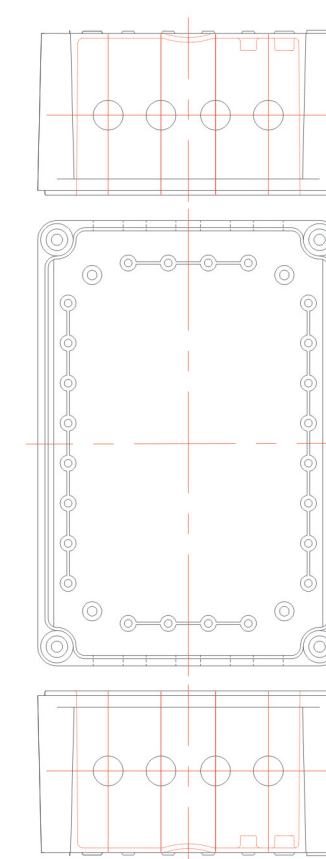
Tailor drilled cable gland holes (Article No. 01 17 00221)



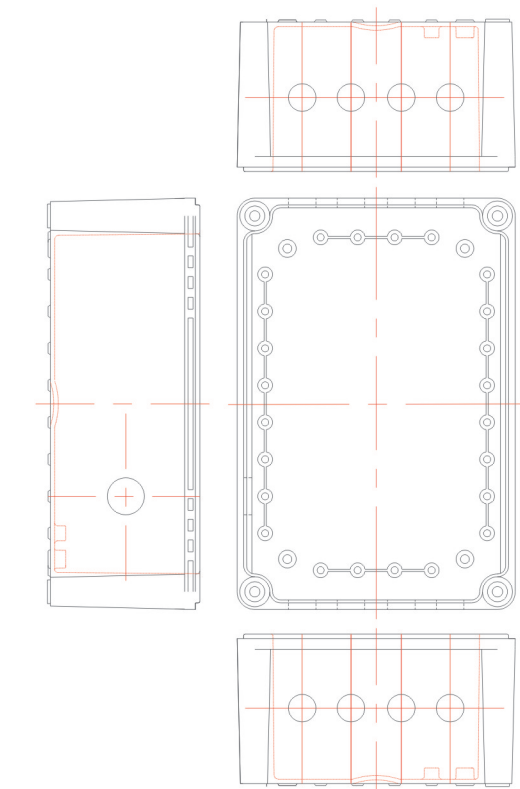
Direct on-line motor starter (Article No. 01 17 00378)



Tailor drilled push button holes (Article No. 01 17 00225)

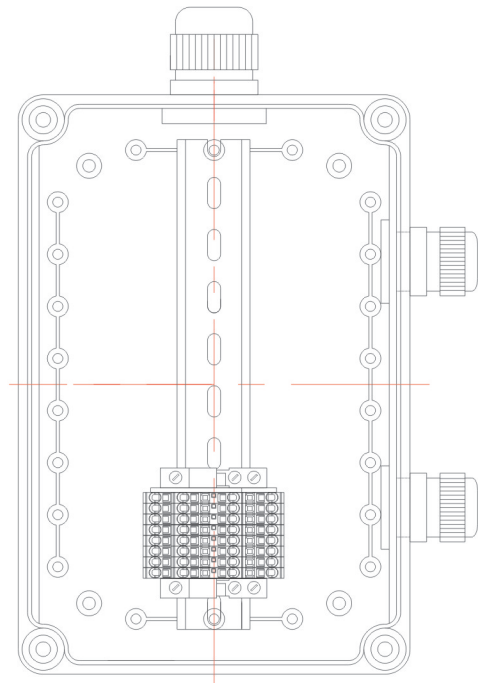


Tailor drilled cable gland holes (Article No. 01 17 00230)

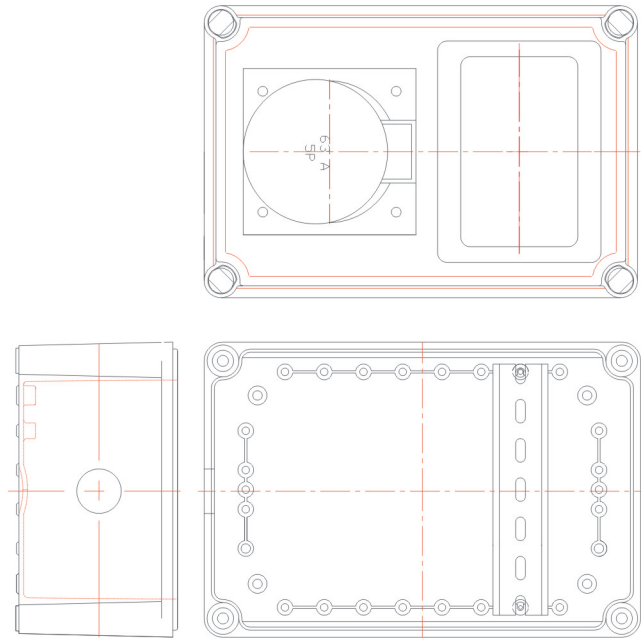


Tailor drilled cable gland holes (Article No. 01 17 00231)

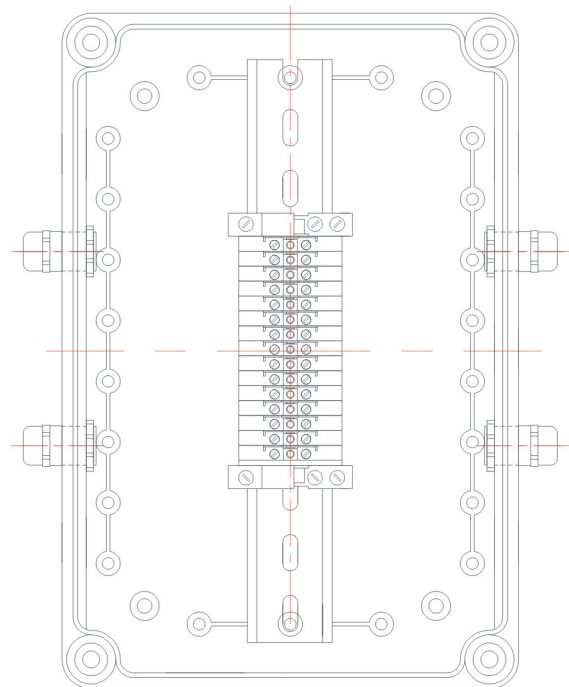
**CUSTOMISED SOLUTIONS DIAGRAMS**



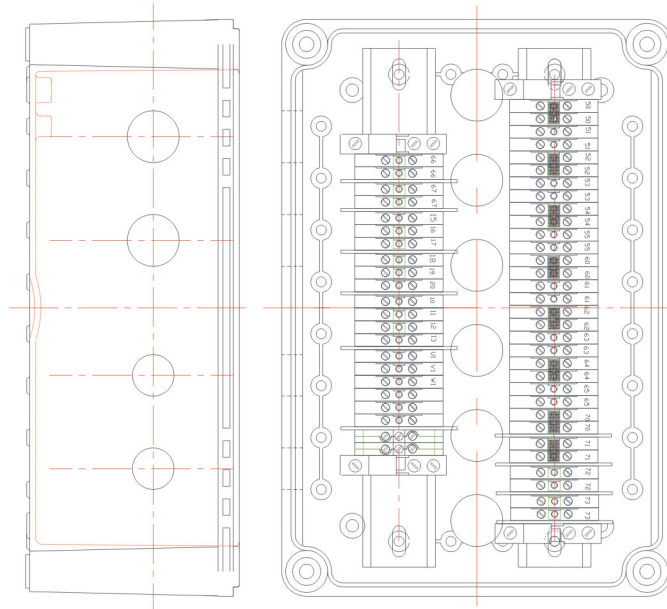
**Junction Box (Article No. 01 17 00257)**



**Power Distribution Unit (Article No. 01 17 00267)**

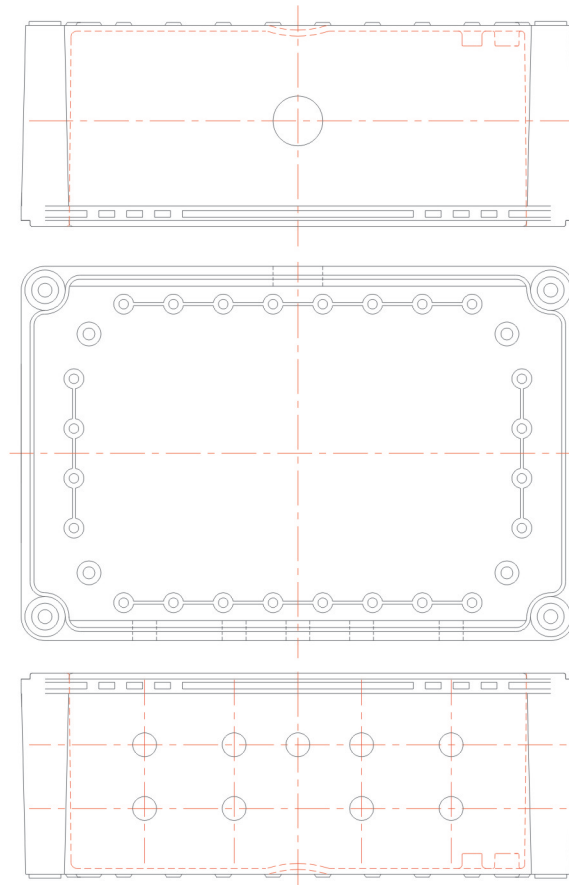


**Junction Box (Article No. 01 17 00361)**

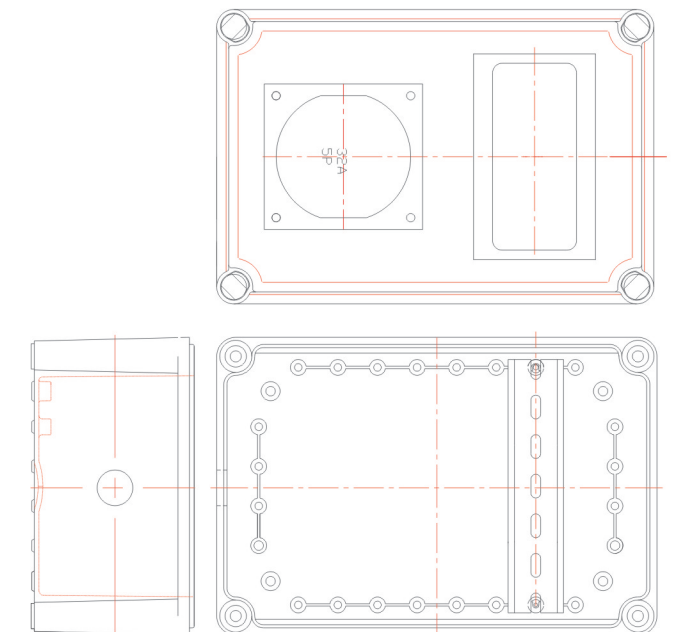


**Junction Box (Article No. 01 17 00375)**

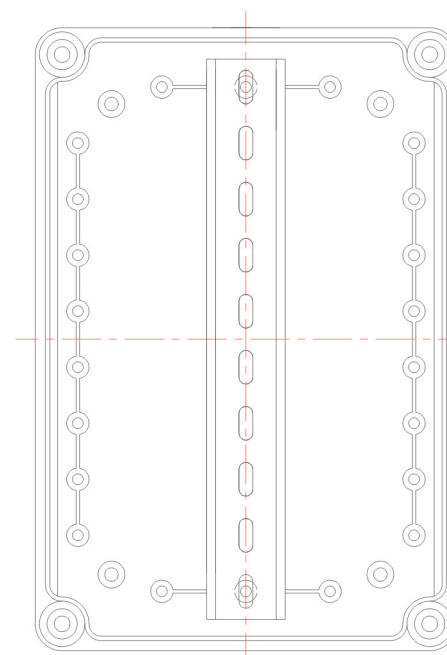
**CUSTOMISED SOLUTIONS DIAGRAMS**



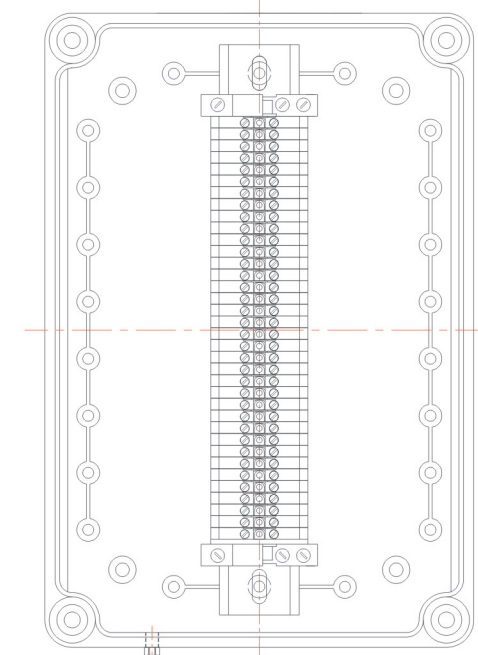
**Tailor drilled cable gland holes (Article No. 01 17 00382)**



**Power Distribution Unit (Article No. 01 17 00381)**



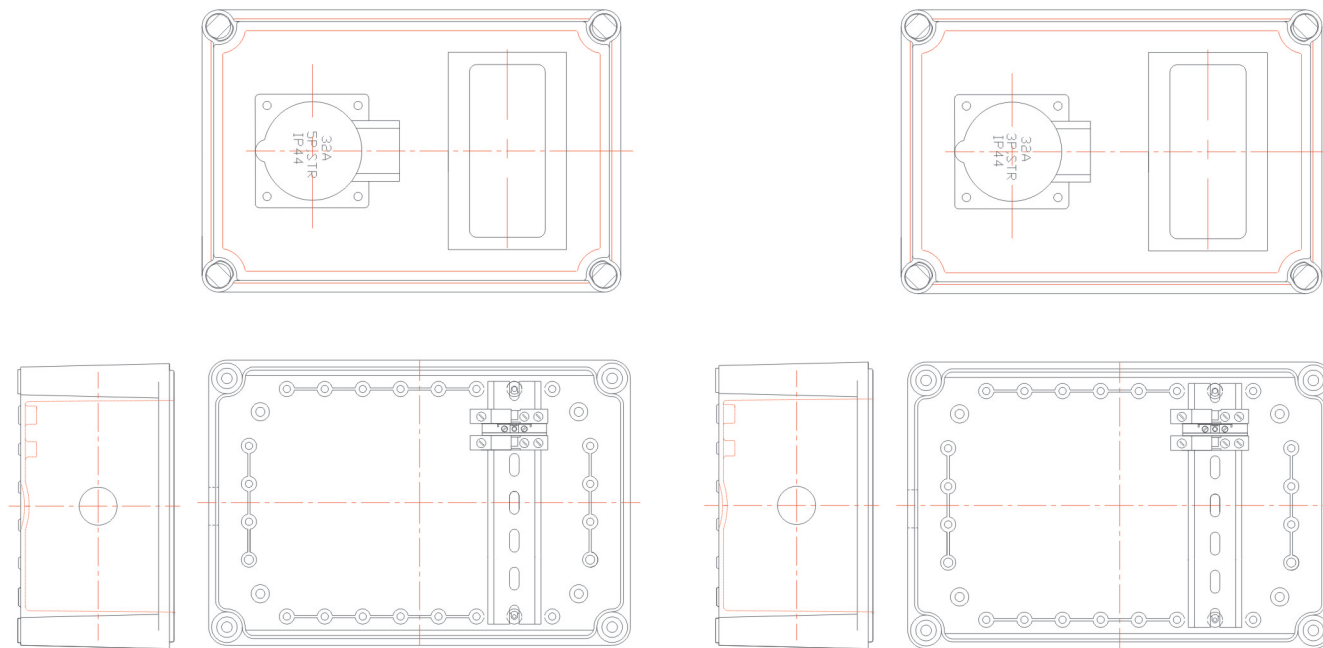
**Enclosure with DIN rail (Article No. 01 17 00383)**



**Junction Box (Article No. 01 17 00083)**

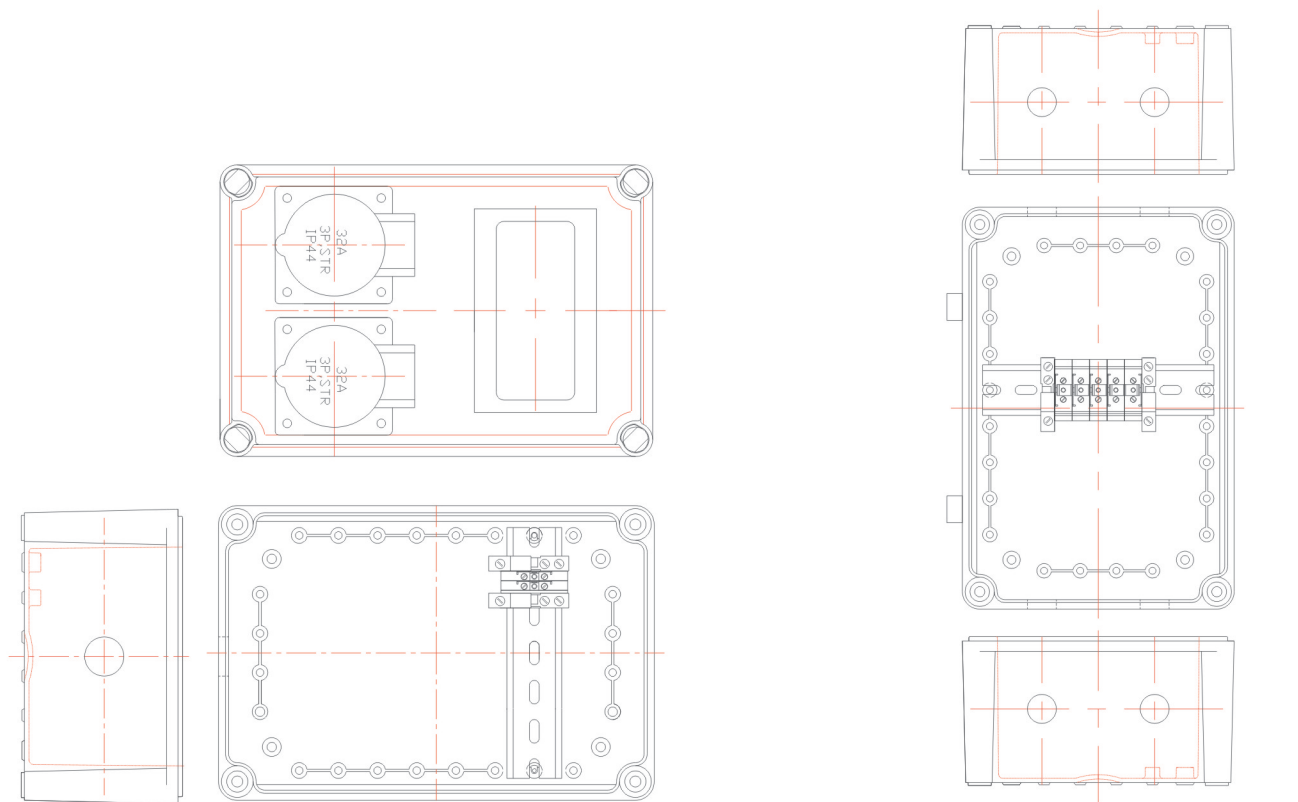


**CUSTOMISED SOLUTIONS DIAGRAMS**



**Power Distribution Unit (Article No. 01 17 00163)**

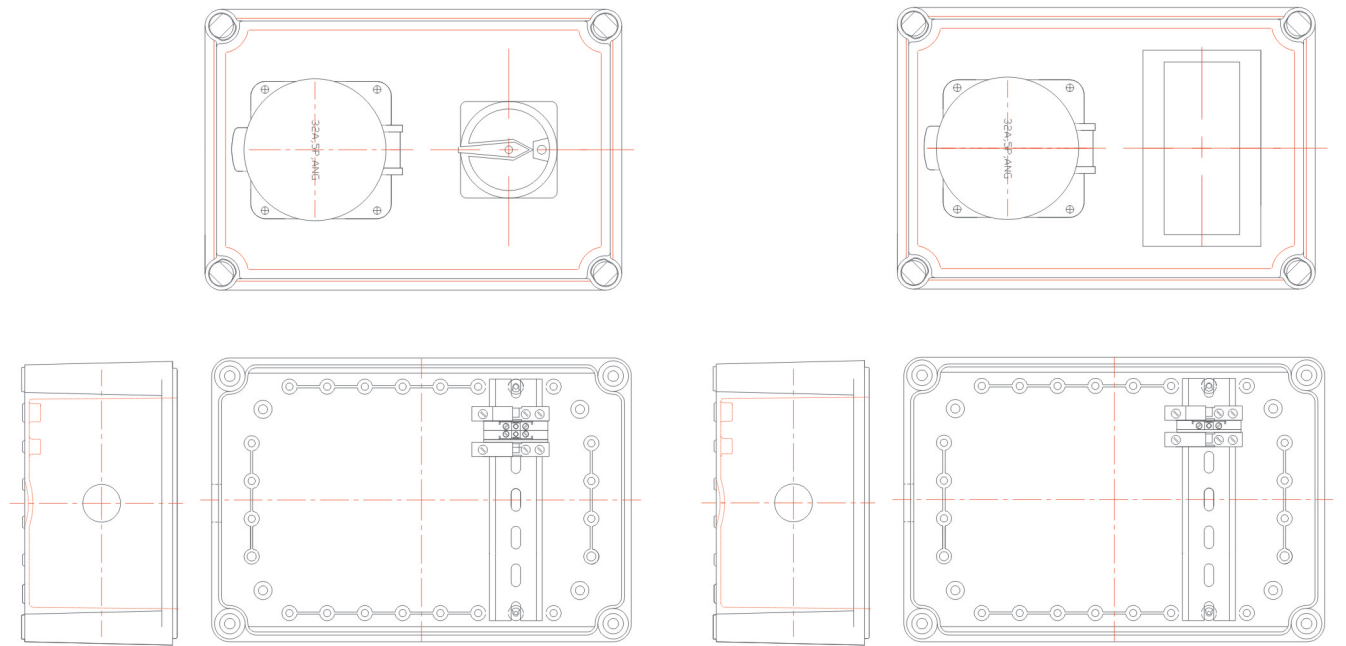
**Power Distribution Unit (Article No. 01 17 00162)**



**Power Distribution Unit (Article No. 01 17 00164)**

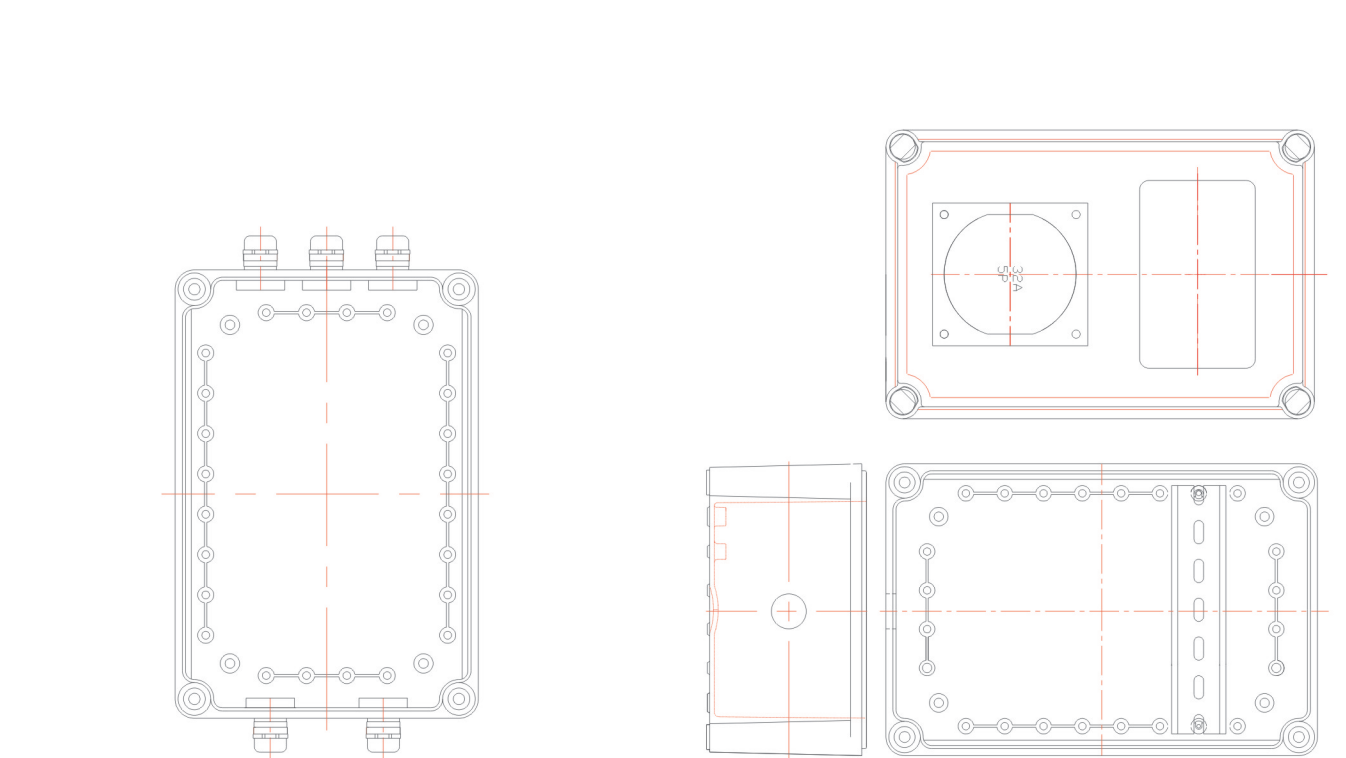
**Junction Box (Article No. 01 17 00167)**

**CUSTOMISED SOLUTIONS DIAGRAMS**



**Power Distribution Unit (Article No. 011700176)**

**Power Distribution Unit (Article No. 011700175)**



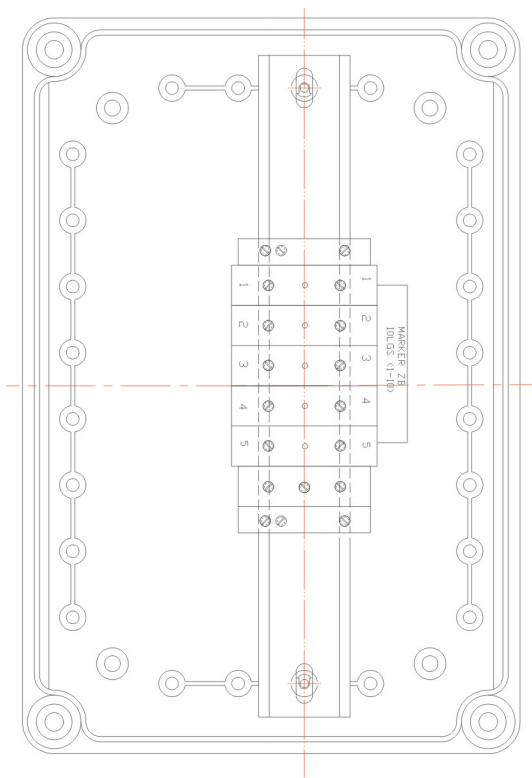
**Tailor drilled cable gland holes (Article No. 011700350)**

**Power Distribution Unit (Article No. 011700210)**

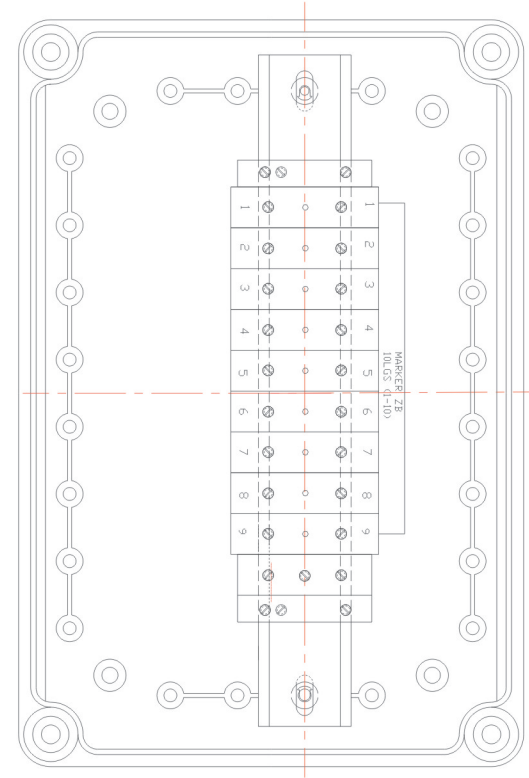


**CUSTOMISED SOLUTIONS DIAGRAMS**

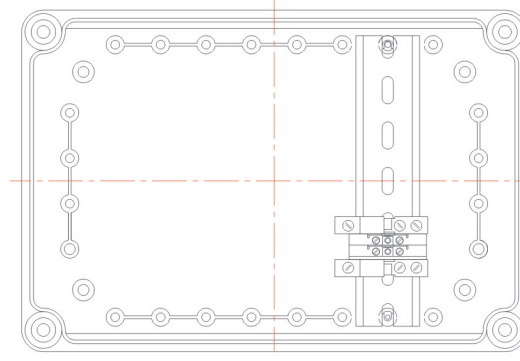
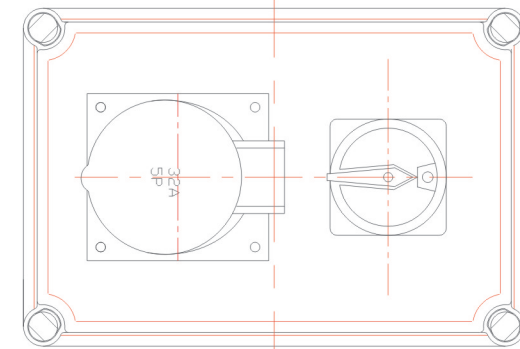
**CUSTOMISED SOLUTIONS DIAGRAMS**



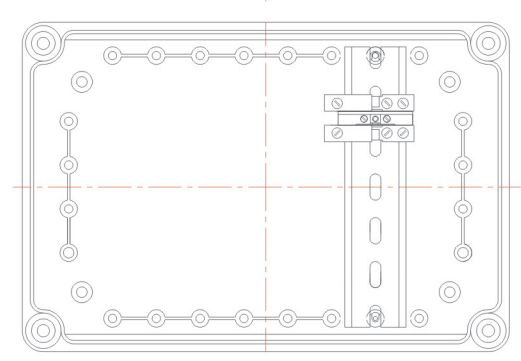
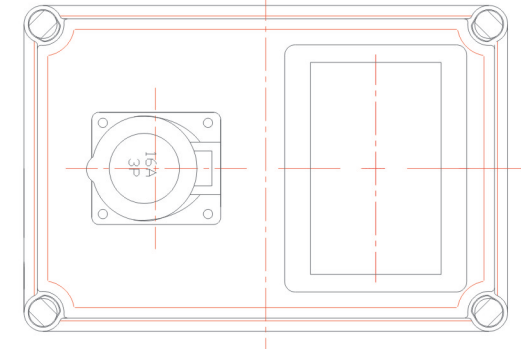
**Junction Box (Article No. 01 17 00021)**



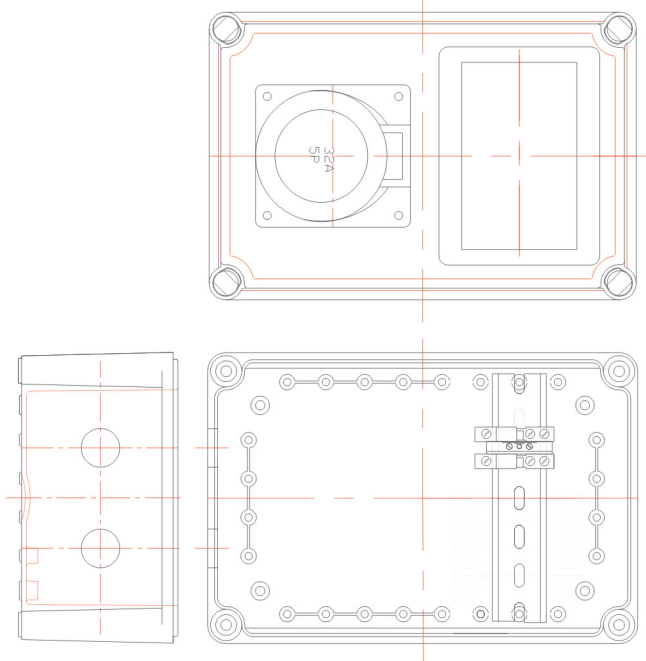
**Junction Box (Article No. 01 17 00022)**



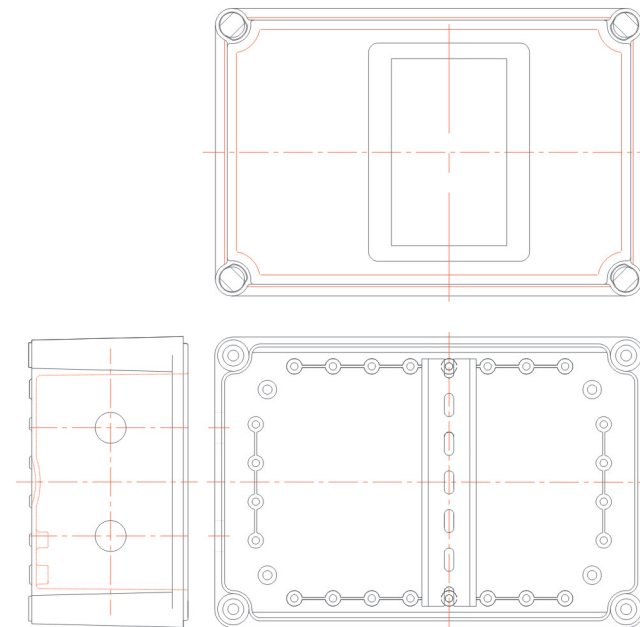
**Power Distribution Unit (Article No. 01 17 00106)**



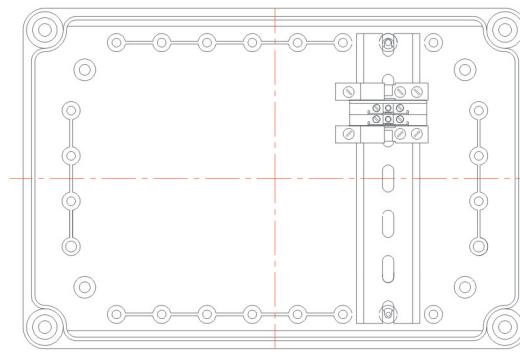
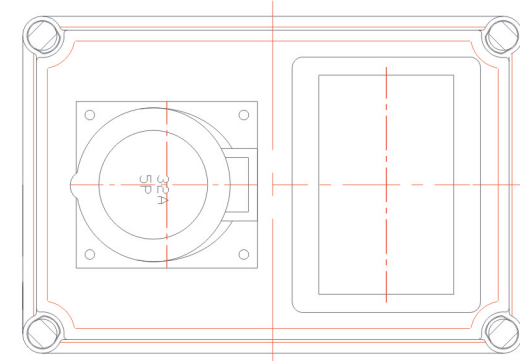
**Power Distribution Unit (Article No. 01 17 00043)**



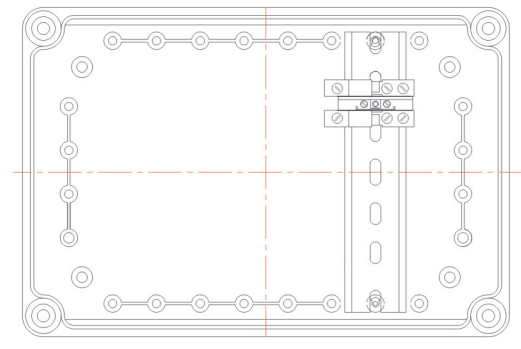
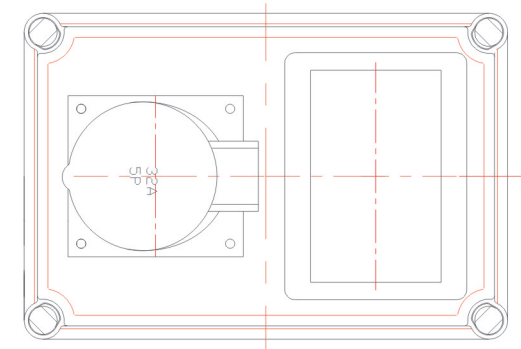
**Power Distribution Unit (Article No. 01 17 00126)**



**Tailor drilled cable gland holes with window (Article No. 01 17 00130)**

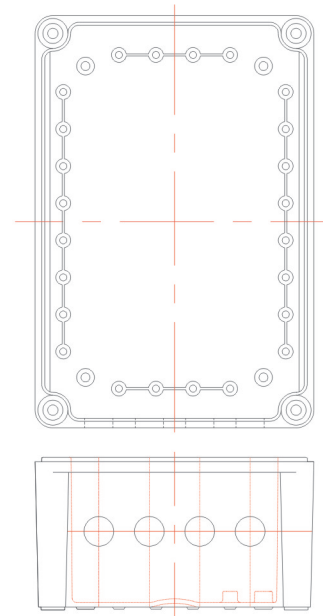


**Power Distribution Unit (Article No. 01 17 00045)**

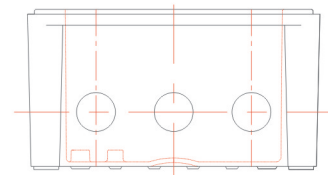
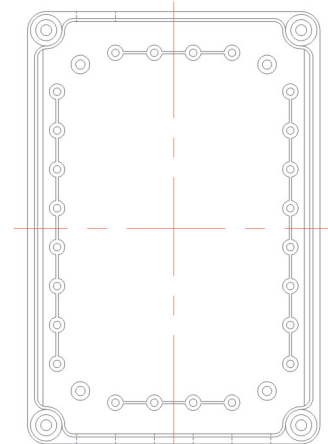
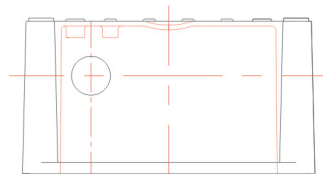


**Power Distribution Unit (Article No. 01 17 00041)**

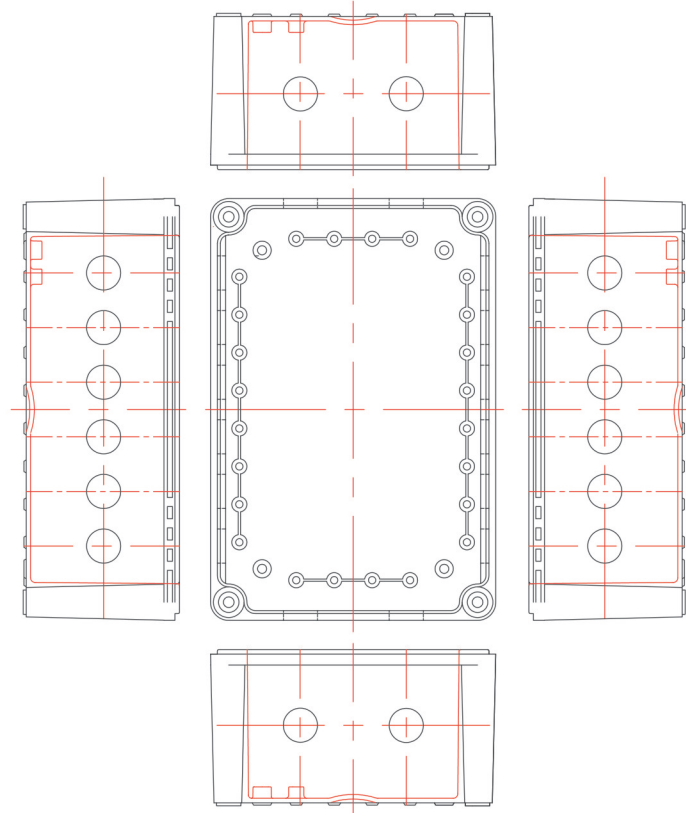
**CUSTOMISED SOLUTIONS DIAGRAMS**



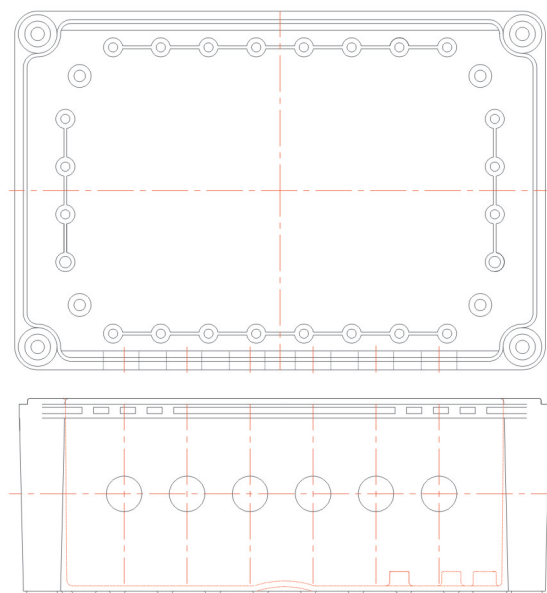
**Tailor drilled cable gland holes  
(Article No. 01 17 00232)**



**Tailor drilled cable gland holes  
(Article No. 01 17 00201)**

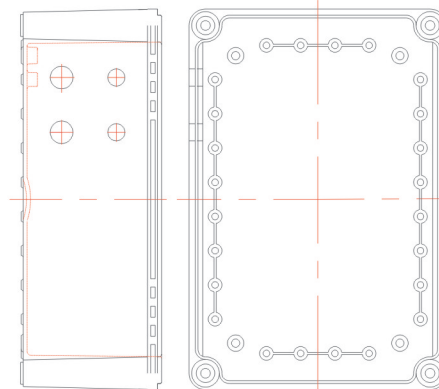
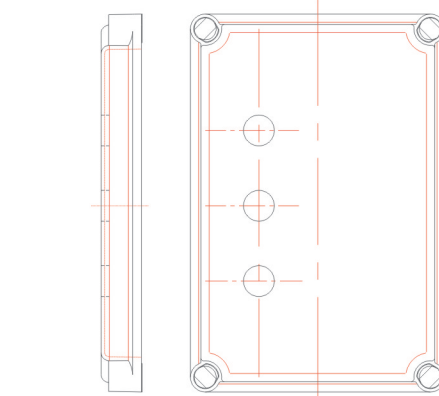


**Tailor drilled cable gland holes  
(Article No. 01 17 00235)**

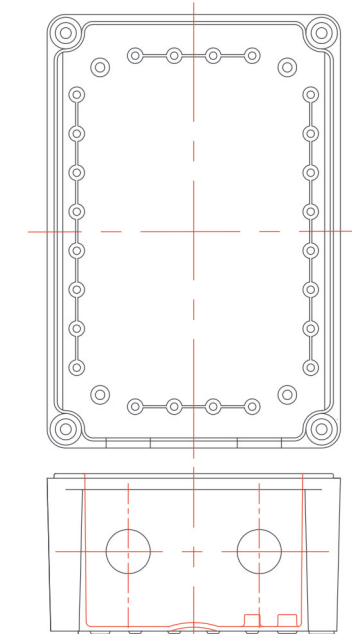


**Tailor drilled cable gland holes  
(Article No. 01 17 00241)**

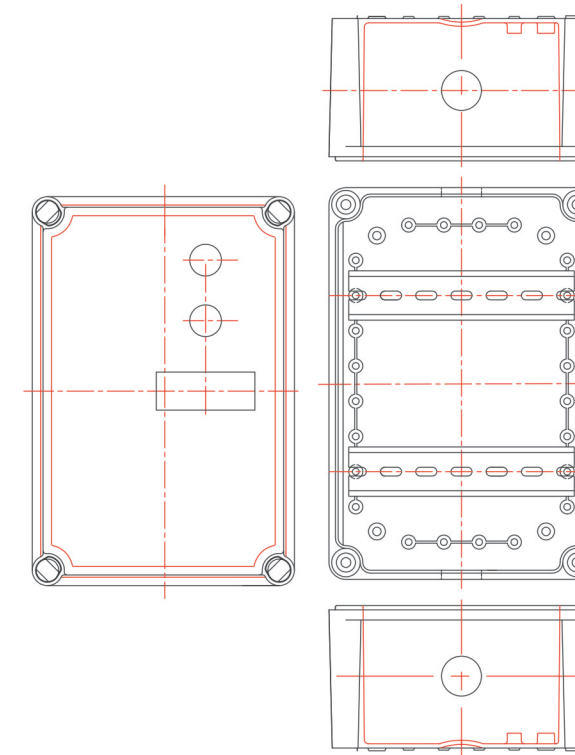
**CUSTOMISED SOLUTIONS DIAGRAMS**



**Tailor drilled cable gland holes  
(Article No. 01 05 00913)**



**Tailor drilled cable gland holes  
(Article No. 01 05 00916)**



**Enclosure with DIN rail  
(Article No. 01 17 00114)**