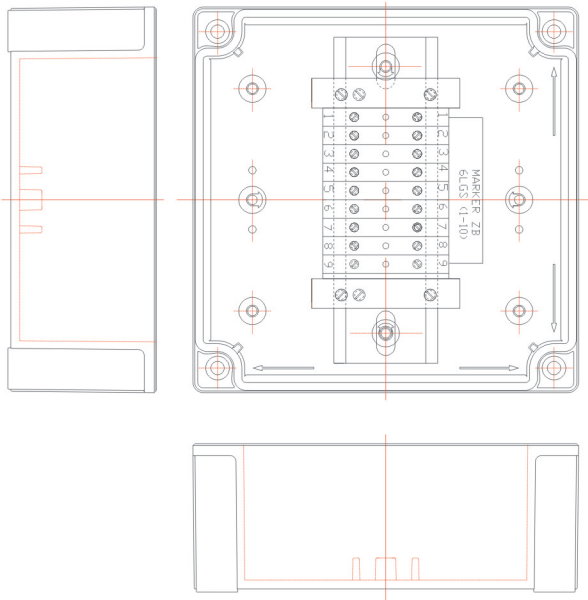
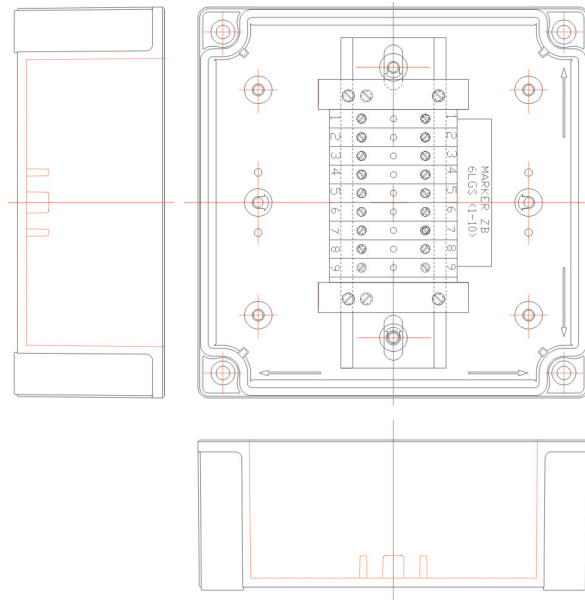


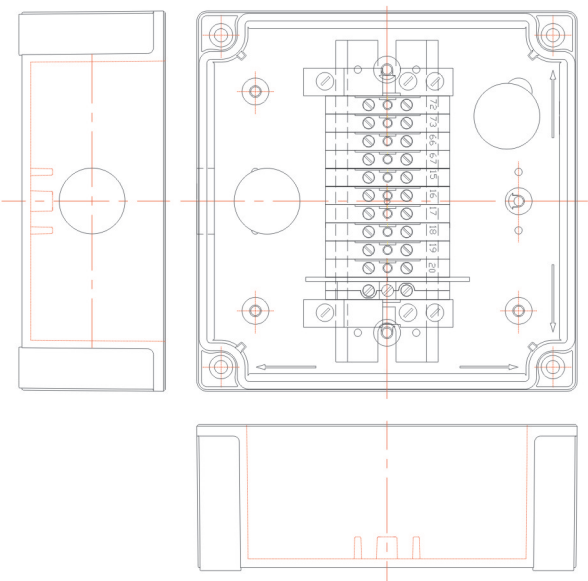
CUSTOMISED SOLUTIONS DIAGRAMS



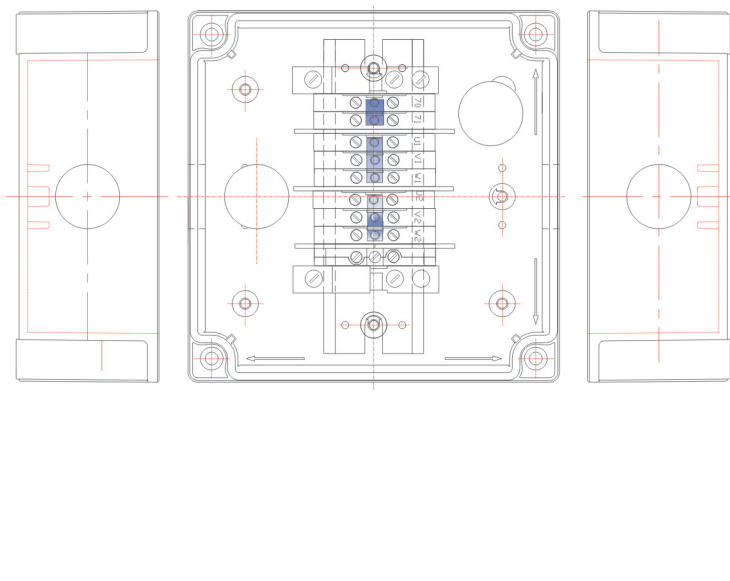
Junction Box (Article No.01 17 00003)



Junction Box (Article No. 01 17 00010)

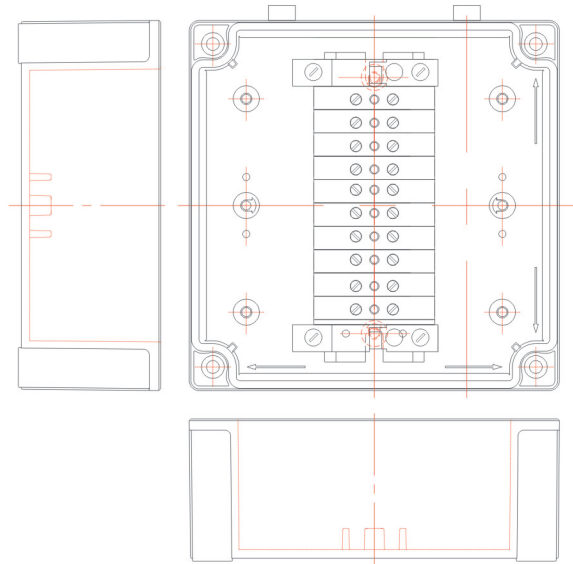


Junction Box (Article No.01 17 00067)

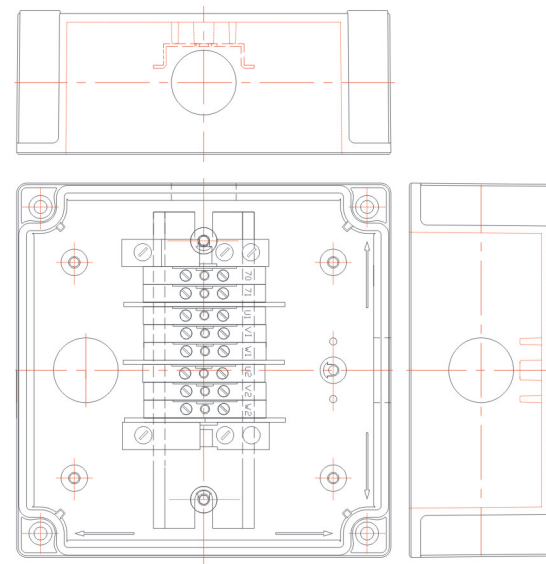


Junction Box (Article No.01 17 00070)

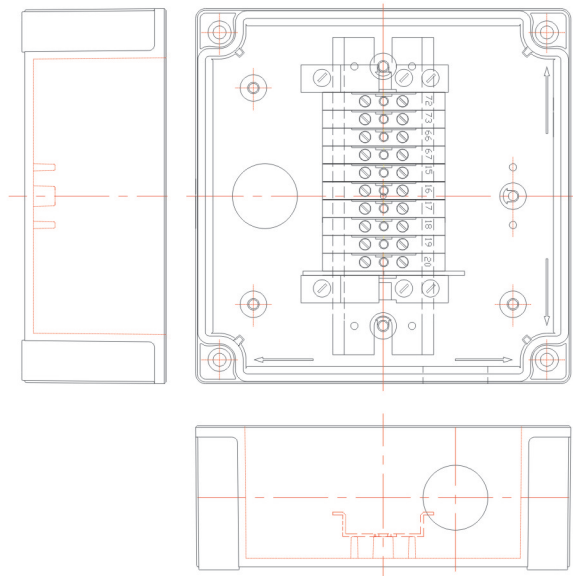
CUSTOMISED SOLUTIONS DIAGRAMS



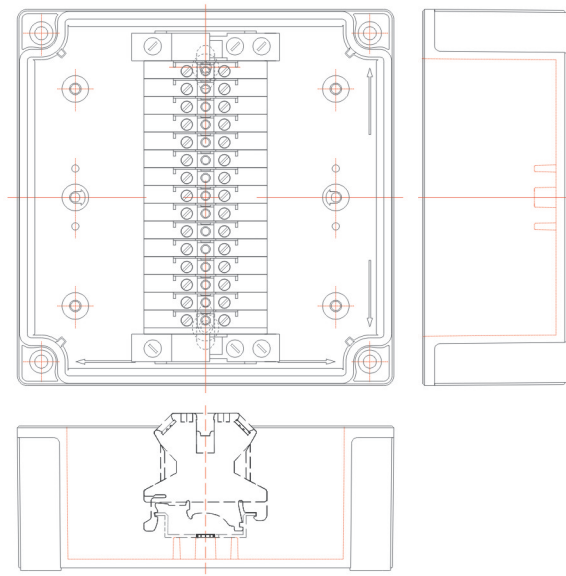
Junction Box (Article No. 01 17 00168)



Junction Box (Article No. 01 17 00262)

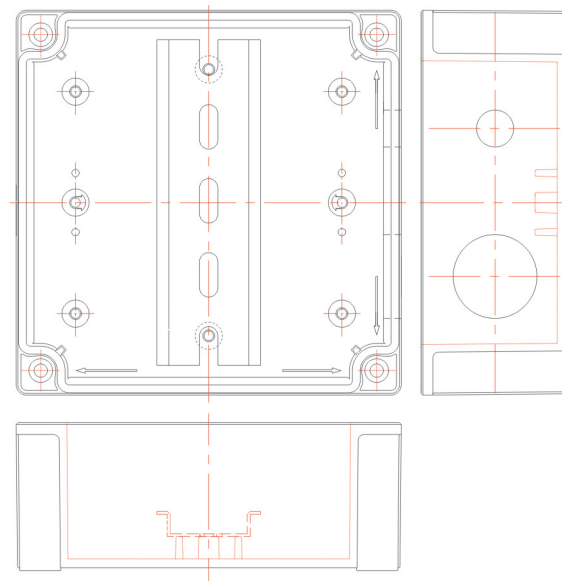


Junction Box (Article No. 01 17 00263)

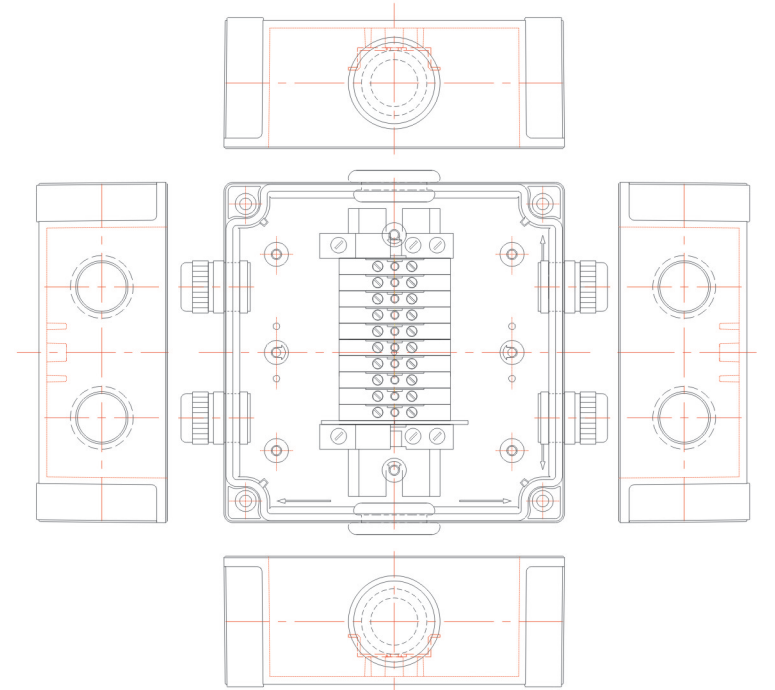


Junction Box (Article No. 01 17 00357)

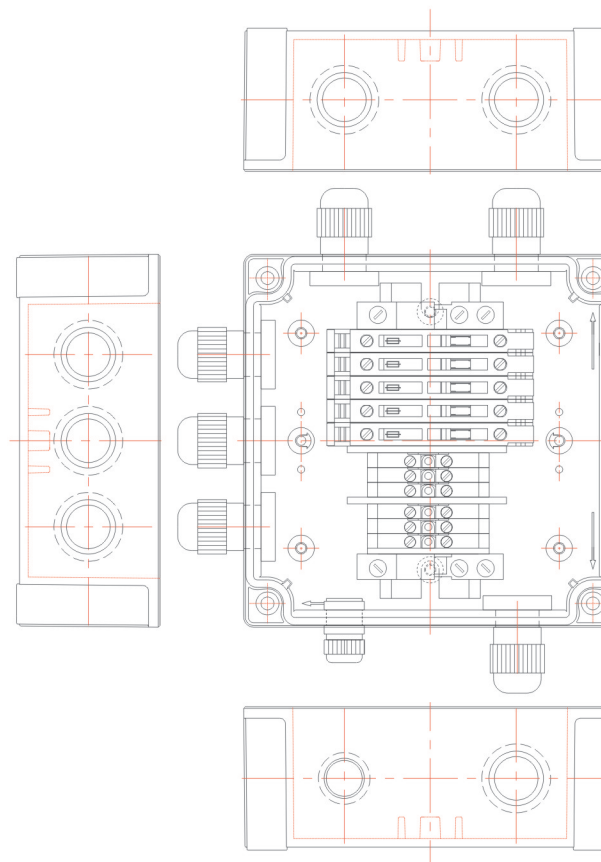
CUSTOMISED SOLUTIONS DIAGRAMS



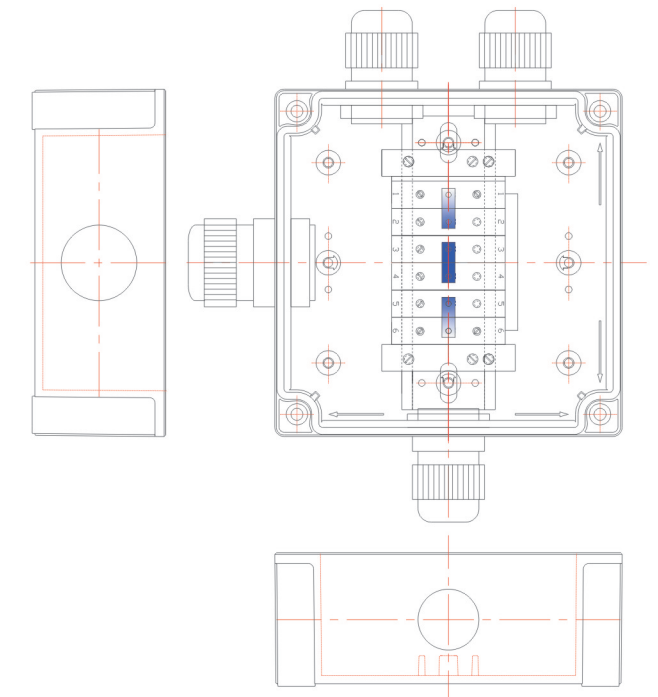
Enclosure with DIN rail (Article No. 01 17 00376)



Junction Box (Article No. 01 17 00377)

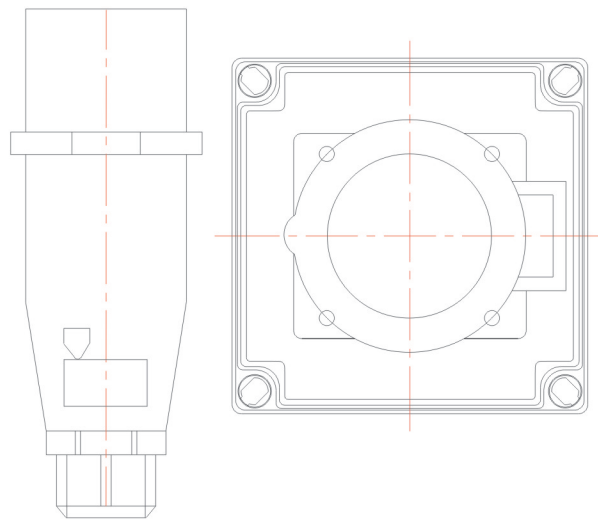


Junction Box (Article No. 01 17 00117)

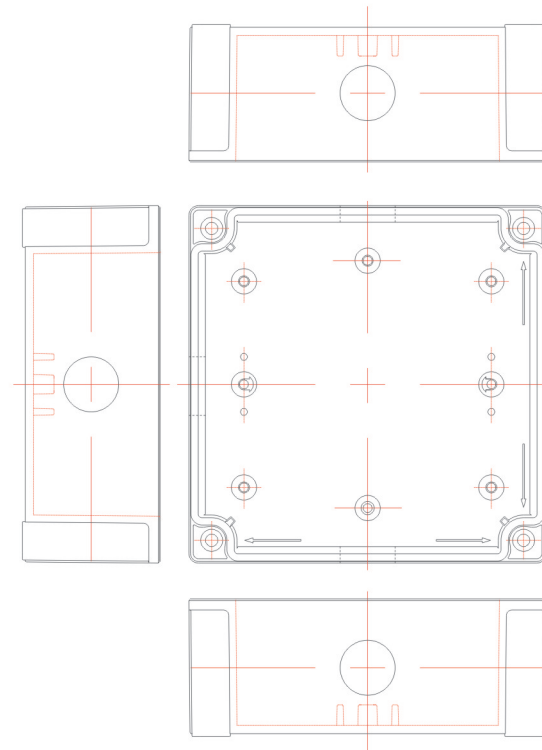


Junction Box (Article No. 01 17 00072)

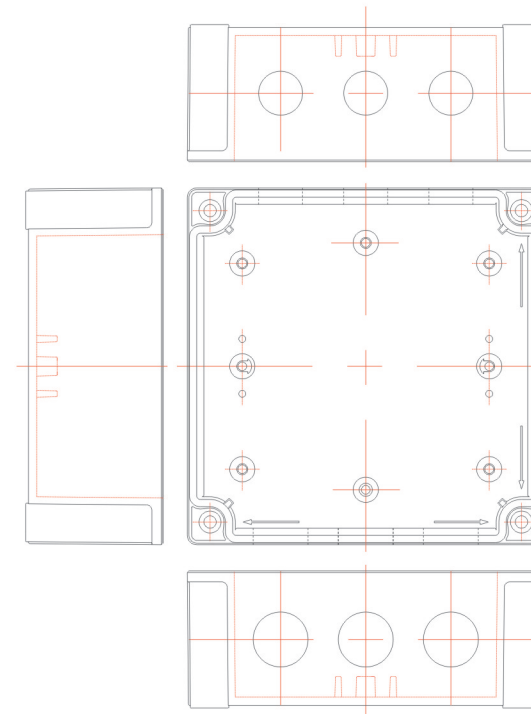
CUSTOMISED SOLUTIONS DIAGRAMS



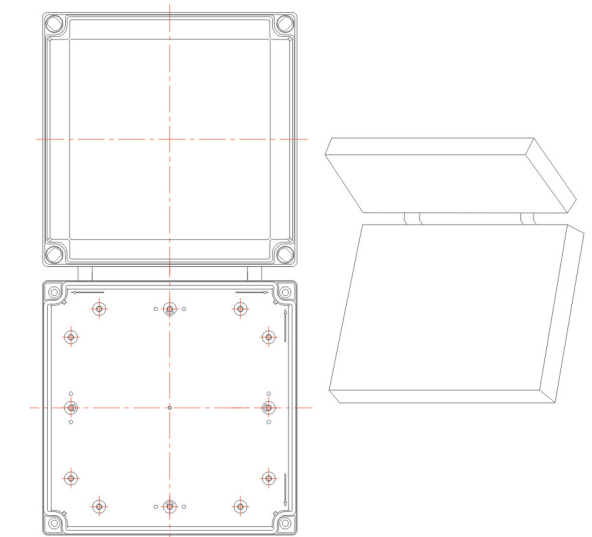
Plug & Socket Unit (Article No. 01 17 00086)



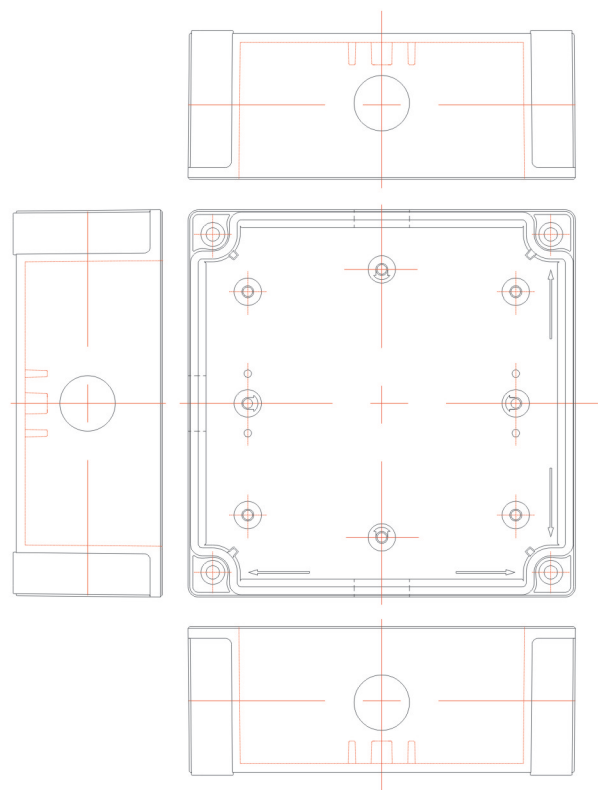
Tailor drilled cable gland holes (Article No. 01 17 00190)



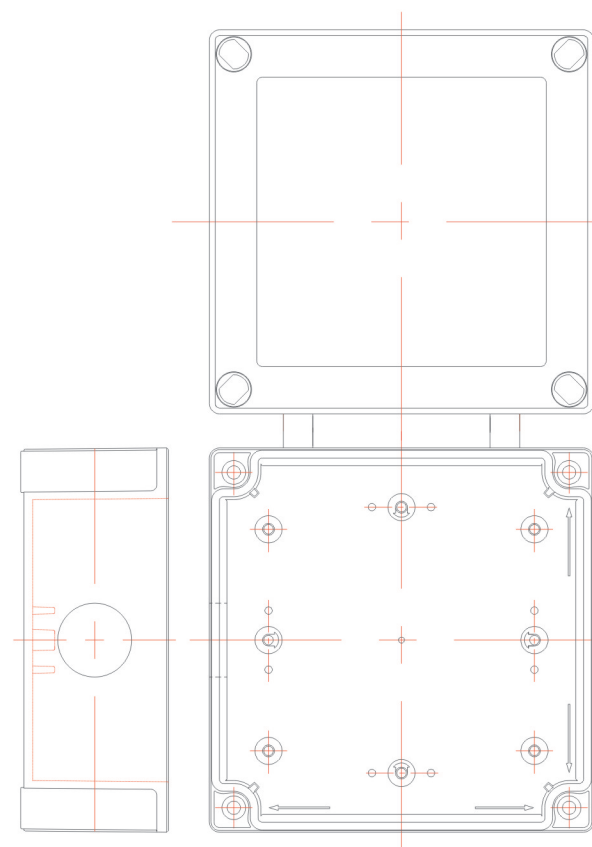
Tailor drilled cable gland holes (Article No. 01 05 00915)



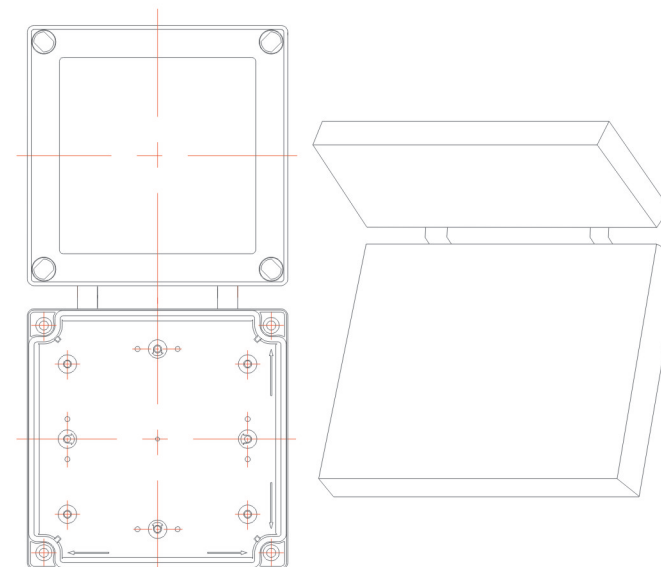
Tailor hinged door (Article No. 01 05 00908)



Tailor drilled cable gland holes (Article No. 01 17 00222)



Tailor drilled cable gland holes (Article No. 01 17 00188)



Tailor hinged door (Article No. 01 05 00909)