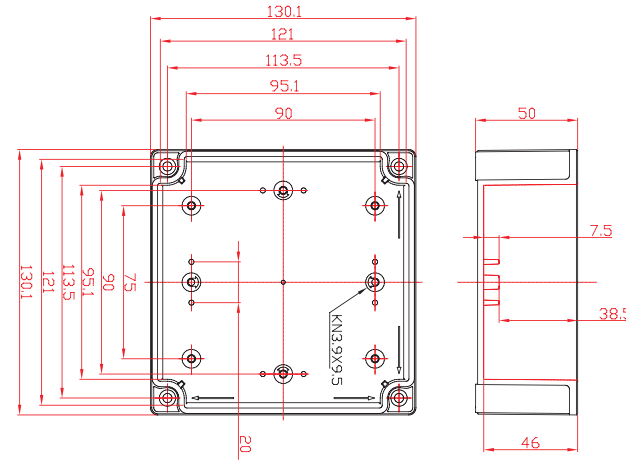


ENCLOSURES



Size 130 X 130 X 75
(H X W X D mm)



| Type of Enclosure | Cover Colour | Material Type | Article No. |
|-------------------|--------------|---------------|-------------|
| BA-ABS 1313G | Grey | ABS | 01 17 00568 |
| BA-PC 1313G | Grey | PC | 01 17 00591 |

Height X Width X Depth mm

130 X 130 X 75

130 X 130 X 75

Material

ABS

Polycarbonate

| | |
|-----------------------|-----------|
| Base colour | Grey |
| Cover colour | Grey |
| Cover screws material | Polyamide |
| Cover screws colour | Grey |
| Gasket material | Silicon |

| | |
|-----------------------|-----------|
| Base colour | Grey |
| Cover colour | Grey |
| Cover screws material | Polyamide |
| Cover screws colour | Grey |
| Gasket material | Silicon |

| | |
|-----------------------|-----------|
| Base colour | Grey |
| Cover colour | Grey |
| Cover screws material | Polyamide |
| Cover screws colour | Grey |
| Gasket material | Silicon |

Technical Information

Rating

| | |
|--------------------|----------|
| Ingress Protection | IP 66/67 |
| Impact Resistance | IK 07 |

| | |
|--------------------|----------|
| Ingress Protection | IP 66/67 |
| Impact Resistance | IK 07 |

| | |
|--------------------|----------|
| Ingress Protection | IP 66/67 |
| Impact Resistance | IK 08 |

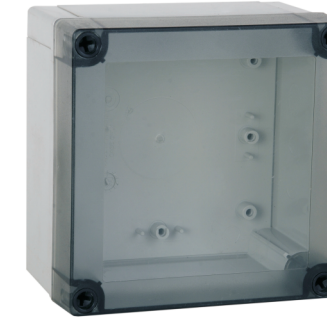
Common applications:

- Push button enclosures
- Electronic and instrumentation enclosures
- Terminal enclosures and junction boxes
- Plugs and sockets

Benefits:

- Easy machining with normal tools
- Easy colouring through pigmentation
- Low weight
- Good resistance to chemical attack
- Excellent insulating properties

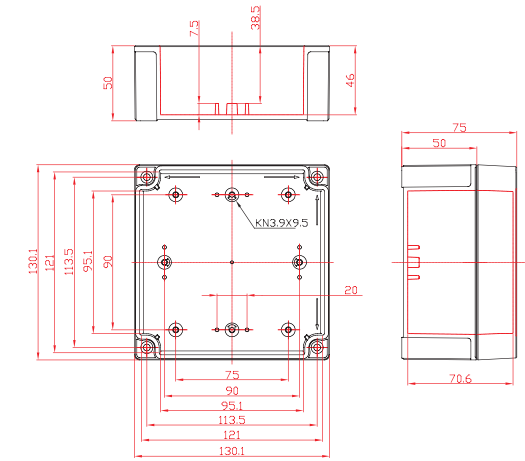
ENCLOSURES



Size 130 X 130 X 75
(H X W X D mm)



| Type of Enclosure | Cover Colour | Material Type | Article No. |
|-------------------|--------------|---------------|-------------|
| BA-ABS 1313T | Transparent | ABS | 01 17 00583 |
| BA-PC 1313T | Transparent | PC | 01 17 00599 |



Options for Customised Solutions
Cable Glands (Trinity-Jacob)

| Type | Left | Right | Top | Bottom | Total Quantity |
|---------|------|-------|-----|--------|----------------|
| PG 7 | 3 | 3 | 3 | 3 | 12 |
| PG 9 | 3 | 3 | 3 | 3 | 12 |
| PG 11 | 3 | 3 | 3 | 3 | 12 |
| PG 13.5 | 2 | 2 | 2 | 2 | 8 |
| PG 16 | 2 | 2 | 2 | 2 | 8 |
| PG 21 | 2 | 2 | 2 | 2 | 8 |
| M 12 | 3 | 3 | 3 | 3 | 12 |
| M 16 | 3 | 3 | 3 | 3 | 12 |
| M 20 | 2 | 2 | 2 | 2 | 8 |
| M 25 | 2 | 2 | 2 | 2 | 8 |

Terminal Block (Phoenix Contact)

| Type | Number | Wire Size mm | Amp.Rating |
|---------|--------|--------------|------------|
| UK 2.5N | 14 | 0.2-2.5 | 24 |
| UK 5N | 11 | 0.2-4 | 41 |
| UK 6N | 8 | 0.2-6 | 57 |
| UK 10N | 7 | 0.5-10 | 76 |
| UK 16N | 5 | 4-10 | 101 |
| UIK 16N | 5 | 4-16 | 101 |

Push Button

| Type | Number |
|---------|--------|
| 22.5 mm | 4 Nos |
| 30 mm | 4 Nos |

DIN Mounting Rail (Trinity Touch)

| Type | Max. Length for enclosure | Article No. |
|------------------------|---------------------------|-------------|
| TDR2-35/7.5 Perforated | 110mm | 01 17 00271 |
| TDR2-15/5.5 Perforated | 110mm | 01 17 00254 |
| TDR3-35/7.5 Perforated | 110mm | 01 17 00283 |
| TDR3-15/5.5 Perforated | 110mm | 01 17 00279 |

RAIL CURRENT CARRYING CAPACITY

| Rail | Material | Current (A) | Wire size AWG | mm2 |
|---------------------|----------|-------------|---------------|-----|
| 35/7.5 (Slotted) | Steel | 65 | 8 | 10 |
| 35/7.5 (Un Slotted) | Steel | 87 | 6 | 16 |
| 35/15 (Slotted) | Steel | 125 | 4 | 25 |
| 35/15 (Un Slotted) | Steel | 125 | 4 | 25 |
| 15/5.5 (Slotted) | Steel | 35 | 12 | 4 |
| 15/5.5 (Un Slotted) | Steel | 47 | 10 | 6 |

| Difference between TDR2 and TDR3 series DIN Rails | | | | |
|---|----------------------------------|-------|-------|----------|
| S.No. | Properties | Unit | TDR2 | TDR3 |
| 1 | Tensile Strength | N/mm2 | 270 | 320 -410 |
| 2 | Elongation | N/mm2 | 28% | 30 -36% |
| 3 | Hardness | HRB | 50 | |
| 4 | Elastic Limit | N/mm2 | ----- | 230 -280 |
| 5 | SST stability Red Rust (Minimum) | Hours | 240 | 350 |





About Mounting DIN Rails

- Most of the electrical accessories are designed to mount on rails that can be fixed easily on panel boards and equipments.
- Mounting rails made of steel in accordance (DIN 60715) are available in Zinc plated and thick film trivalent chrome passivated. The base metal as steel used for DIN rails as per EN10130. Due to high mechanical strength & durability, high corrosion prohibitive plating and lead free (Confirms to RoHS compliance) provides the best solution for general applications.
- These rails are often used as grounding bars. The current carrying capacity of these rails and the copper wire sizes required to carry that current are given below.
- The 35/7.5 high rail is suitable for the majority of application and is the more cost effectiveness.
- When heavy components like large PLC's, Transformers, MPCBS, heavy contactors and relays has to be mount than 35/15 rail is more suitable.
- The 15/5.5 rail is more than half width of 35/7.5 is used for mounting of terminal blocks in confined spaces.

ACCESSORIES

Size 130 X 130 X 75 (H X W X D mm)

Ordering Data For Accessories

| Mounting Plate | Type | Article No. | |
|---|---------------|-------------|---|
| Mounting Plate CRCA Sheet Thickness 1.5mm Zinc Plated | Basic MP 1313 | 01 17 00610 |  |
| Mounting Clamp | Type | Article No. | |
| Mounting Clamp CRCA Sheet Thickness 3 mm Zinc Plated | Basic MC 1313 | 01 17 00611 |  |
| Hinge | Article No. | | |
| Hinge Material Plastic Hinge Colour Grey | 01 17 00624 | |  |
| Cover Screw | Article No. | | |
| Polyamide Grey Colour | 01 17 00911 | |  |

Existing Customised Solutions

| Existing Customised Solutions of Terminal Block Enclosure | | | | | |
|---|-------------|-------------------|--------|----------------|-----|
| Description | Article No. | DIN Mounting Rail | | Terminal Block | |
| | | Type | Qty | Type | Qty |
| CS-ABS 1313-2.5-9 | 01 17 00003 | TDR2-35/7,5 | 110 MM | UK2.5 | 9 |
| CS-ABS 1313-5-9 | 01 17 00010 | TDR2-35/7,5 | 110 MM | UK5N | 9 |
| CS-ABS 1313-SU-1(6181092) | 01 17 00067 | TDR2-35/7,5 | 110 MM | UK2.5 | 10 |
| CS-ABS 1313-SU-3(6181144) | 01 17 00070 | TDR2-35/7,5 | 110 MM | UK5N | 6 |
| | | | | UK 2.5 | 2 |
| CS-ABS 1313-6-10-HING-VSP | 01 17 00168 | TDR2-35/7,5 | 110 MM | UK6N | 10 |
| CS-ABS 1313-UK 2.5X2-UK5X6 | 01 17 00262 | TDR2-35/7,5 | 110 MM | UK5N | 6 |
| CS-ABS 1313-UK 2.5X10 -2H | 01 17 00263 | TDR2-35/7,5 | 110 MM | UK2.5 | 10 |
| CS-ABS 1313-4X15 | 01 17 00357 | TDR2-35/7,5 | 110 MM | UK4 | 15 |
| CS-ABS 1313-HT-PG7XPG21 | 01 17 00376 | TDR2-35/7,5 | 110 MM | | |

| Existing Customised Solutions of Terminal Block Enclosure With Cable Gland | | | | | | | |
|--|-------------|-------------------|--------|----------------|---|-------------|---|
| Description | Article No. | DIN Mounting Rail | | Terminal Block | | Cable Gland | |
| CS-ABS 1313-2.5X10-PG11X4 | 01 17 00377 | TDR2-35/7,5 | 110 MM | UK2.5 | | PG11 | 4 |
| CS-ABS 1313-UK5-HESILED-UK2.5X6 | 01 17 00117 | TDR2-35/7,5 | 110 MM | UK2.5B | 6 | PG-9 | 6 |
| | | | | UK5-HESI | 5 | PG-7 | 1 |
| CS-ABS 1313-10-6TBP | 01 17 00072 | TDR2-35/7,5 | 110 MM | UK10N | 6 | PG 21 | 1 |
| | | | | | | PG 16 | 3 |

| Existing Customised Solutions With Industrial Plug And Socket | | | | | | | | | |
|---|-------------|-------------------|--------|----------------|--|-------------|--|---------------|---|
| Description | Article No. | DIN Mounting Rail | | Terminal Block | | Cable Gland | | Plug & Socket | |
| CS-ABS 1313-230-290 | 01 17 00086 | TDR2-35/7,5 | 110 MM | | | | | 32A,3PIN | 1 |

Above mentioned article numbers are our existing solutions in TRIBOX™ Basic 1313 enclosures. For application details refer:

| Customised Applications | Page Nos. |
|---|-----------|
| Customised solutions of terminal block enclosure | 115-117 |
| Customised solutions of terminal block enclosure with cable gland | 117 |
| Customised solutions with industrial plug & socket | 118 |
| Tailor made cutouts (Includes cable glands holes & hinged door) | 118,119 |